



Product Description

PAR38

Pressed-glass 121 mm diameter reflector lamps of high luminous intensity

Benefits

- Produces the same useful light as conventional PAR lamps at 20% lower energy

Features

- Spot versions have a stippled front reflector producing a narrow, homogeneous beam
- Flood versions have a front refractor composed of prismatic elements

Application

- Can be used indoors and outdoors, or wherever blown-bulb reflector lamps would be too vulnerable
- Indoors: shops, window displays, homes, hotels, restaurants, theatres, museums, exhibitions and buildings
- Outdoors: floodlighting, advertising signs, buildings, statues, podiums, sports grounds, parks and gardens
- Can be installed outdoors without any protection, provided they are used in a watertight lampholder
- For outdoor use, a heat-resistant rubber ring must be fitted between the lamp and the lampholder

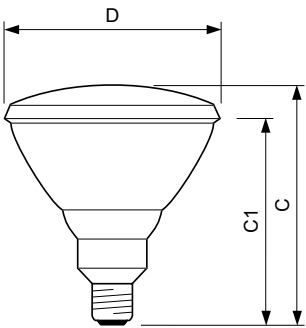
PAR38

Versions

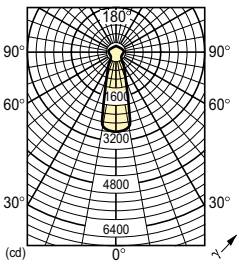


E27

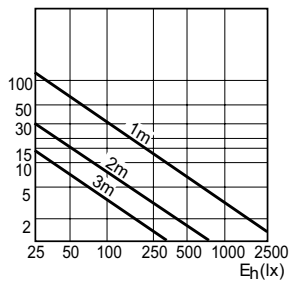
Dimensional drawing



Product	D	C (max)	C1
PAR38 120W E27 240V FL 1CT/6	121 mm	137 mm	123 mm

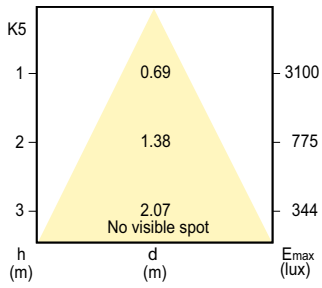


Accent Diagrams



PAR38

Beam Diagrams



LDBE_IPAR38-E_120W_FL-Beam diagram

