



# HF-Regulator II for TL5 lamps – Dimming: a next step in energy saving

## HF-Regulator II for TL5 lamps

High-frequency electronic dimming ballast, using the analog protocol (1-10 V) for TL5 HE/HO and TL5 Eco lamps

### Benefits

- The lamp power can be dimmed from 1 to 100% via the Analog control input (in accordance with the 1-10 V industry standard)
- Compliant with European and Asian norms and suitable for emergency lighting systems
- HF operation improves light quality, lamp lifetime
- Combined with controls, additional energy savings can be achieved

### Features

- Programmed start: flicker-free ignition < 0.5 seconds and striation-free operation, no stroboscopic effects. Preheating the lamp electrodes enables the lamps to be switched on and off without reducing life
- Smart power ensures constant light, independent of mains fluctuations
- Up to 60% reduction in energy consumption by using automatic lighting control systems
- Stop circuit is activated within 5 seconds in the event of lamp failure (safety stop), and ballast resets automatically after lamp replacement

### Application

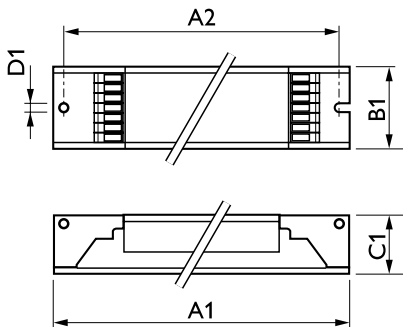
- Indoor, general and task lighting applications in combination with lighting control systems (personal control, daylight linking and/or movement detection)

# HF-Regulator II for TL5 lamps

## Versions



## Dimensional drawing



Product	D1	C1	A1	A2	B1
HF-R 149 TL5 EII 220-240V 50/60Hz	4.2 mm	22 mm	360 mm	350 mm	30 mm
HF-R 249 TL5 EII 220-240V 50/60Hz	4.2 mm	22 mm	360 mm	350 mm	30 mm
HF-R 414 TL5 EII 220-240V 50/60Hz	4.2 mm	22 mm	359 mm	350 mm	39 mm
HF-R 2 14-35 TL5 EII 220-240V 50/60Hz	4.2 mm	22 mm	360 mm	350 mm	30 mm
HF-R 1 14-35 TL5 EII 220-240V 50/60Hz	4.2 mm	22 mm	360 mm	350 mm	30 mm

### Approval and Application

Energy Efficiency Index A1 BAT

### Operating and Electrical

Input Frequency 50 to 60 Hz

Input Voltage 220 to 240 V

### General Information

Lamp Type TL5

## General Information

Order Code	Full Product Name	Number Of Products On MCB (16A Type B) (Nom)	Number Of Lamps
90998530	HF-R 149 TL5 EII 220-240V 50/60Hz	28	1 piece/unit
91003530	HF-R 249 TL5 EII 220-240V 50/60Hz	12	2 piece/unit
91364730	HF-R 414 TL5 EII 220-240V 50/60Hz	28	4 piece/unit

Order Code	Full Product Name	Number Of Products On MCB (16A Type B) (Nom)	Number Of Lamps
91178030	HF-R 2 14-35 TL5 EII 220-240V 50/60Hz	12	2 piece/unit
91180330	HF-R 1 14-35 TL5 EII 220-240V 50/60Hz	28	1 piece/unit

## Mechanical and Housing

## HF-Regulator II for TL5 lamps

Order Code	Full Product Name	Housing
90998530	HF-R 149 TL5 EII 220-240V 50/60Hz	L 360x30x21
91003530	HF-R 249 TL5 EII 220-240V 50/60Hz	L 360x30x21
91364730	HF-R 414 TL5 EII 220-240V 50/60Hz	L 359x39x22

Order Code	Full Product Name	Housing
91178030	HF-R 2 14-35 TL5 EII 220-240V 50/60Hz	L 360x30x21
91180330	HF-R 1 14-35 TL5 EII 220-240V 50/60Hz	L 360x30x21

### System characteristics

Order Code	Full Product Name	Rated Ballast-Lamp Power
90998530	HF-R 149 TL5 EII 220-240V 50/60Hz	49 W
91003530	HF-R 249 TL5 EII 220-240V 50/60Hz	49 W
91364730	HF-R 414 TL5 EII 220-240V 50/60Hz	14 W

Order Code	Full Product Name	Rated Ballast-Lamp Power
91178030	HF-R 2 14-35 TL5 EII 220-240V 50/60Hz	14-35 W
91180330	HF-R 1 14-35 TL5 EII 220-240V 50/60Hz	14-35 W

