



Dimming the next step in energy saving

HF-Regulator Intelligent Touch DALI for TL5/TL-D/PL-L lamps

This intelligent high-frequency electronic dimming ballast utilizes the DALI or Touch and Dim push-button protocol for fluorescent lamps. It meets A1BAT requirements, thereby pre-empting upcoming legislation. With a special command you can retrieve the system's mains power consumption, and with another you can find out which lamp wattage is connected. Combined with controls, additional energy savings can be achieved.

Benefits

- Extremely low stand-by losses, controlled cut-off for dim levels above 80%, hybrid control dimming (current control at 100% and power control at 1%) – combined with MASTER TL5 Eco the most energy-efficient solution
- HF operation improves light quality and lamp lifetime.
- Compliant with European and Asian norms and suitable for emergency lighting systems

Features

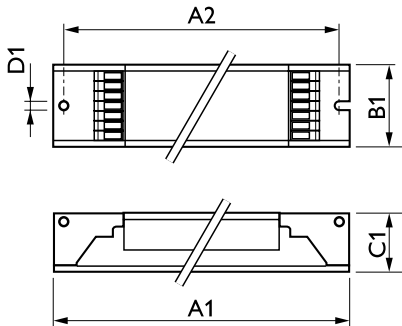
- HF-R Intelligent recognizes what type of lamp (T5 HE, HO, ECO, TL-D, PL-L) is connected and drives it accordingly
- Programmed start: flicker-free ignition < 1.0 second and striation-free operation, no stroboscopic effects. Preheating the lamp electrodes enables the lamps to be switched on and off without reducing life
- Smart power ensures constant light, independent of mains fluctuations and dimming from 1 to 100%
- Stop circuit is activated within 5 seconds in the event of lamp failure (safety stop), and ballast resets automatically after lamp replacement
- Programmable for intelligent functionalities via Philips MultiOne: Corridor mode, Emergency DC dim level, Burn-in time

HF-Regulator Intelligent Touch DALI for TL5/TL-D/PL-L lamps

Application

- Indoor, general and task lighting applications in combination with lighting control systems (personal control, daylight linking and/or movement detection)

Dimensional drawing



Product	D1	C1	A1	A2	B1
HF-Ri TD 3 14/24 TL5 E+ 195-240V	4.2 mm	22.0 mm	360.0 mm	350.0 mm	39.0 mm
HF-Ri TD 1 35/49/80 TL5 E+ 195-240V	4.1 mm	22.0 mm	360.0 mm	350.0 mm	30.0 mm
HF-Ri TD 4 14/24 TL5 E+ 195-240V	4.2 mm	22.0 mm	360.0 mm	350.0 mm	39.0 mm

Approval and application

Energy Efficiency Index A1 BAT

Operating and electrical

Input Frequency 50 to 60 Hz

Input Voltage 195-240 V

General information

Lamp Type TL5

General information

Order Code	Full Product Name	Number Of Products On MCB (16A Type B) (Nom)	Number Of Lamps
15676500	HF-Ri TD 3 14/24 TL5 E+ 195-240V	16	3 piece/unit
15678900	HF-Ri TD 4 14/24 TL5 E+ 195-240V	16	4 piece/unit

Order Code	Full Product Name	Number Of Products On MCB (16A Type B) (Nom)	Number Of Lamps
66207500	HF-Ri TD 1 35/49/80 TL5 E+ 195-240V	18	1 piece/unit

Mechanical and housing

Order Code	Full Product Name	Housing
15676500	HF-Ri TD 3 14/24 TL5 E+ 195-240V	L 360x39x22
15678900	HF-Ri TD 4 14/24 TL5 E+ 195-240V	L 360x39x22

Order Code	Full Product Name	Housing
66207500	HF-Ri TD 1 35/49/80 TL5 E+ 195-240V	L 359x30x21

System characteristics

Order Code	Full Product Name	Lamp Power On PL-			Lamp Power On	Lamp Power On	Rated Ballast-
		L	Lamp Power On TL5	Lamp Power On TL5 ECO	TL-D	TL-D ECO	Lamp Power
15676500	HF-Ri TD 3 14/24 TL5 E+ 195-240V	15/22.9 W	15/23.3 W	13.6/20.1 W	17 W	13.7 W	14/24 W
15678900	HF-Ri TD 4 14/24 TL5 E+ 195-240V	15.8/22.9 W	14.5/23.4 W	12.9/19.7 W	16.6 W	14.2 W	14/24 W
66207500	HF-Ri TD 1 35/49/80 TL5 E+ 195-240V	76.3 W	35.9/51/75.6 W	32.8/45.2/73.6 W	-	-	-

HF-Regulator Intelligent Touch DALI for TL5/TL-D/PL-L lamps

