



MASTER LEDspot PAR - The energy-saving alternative for lighting in public areas

MASTER LEDspot PAR

With its robust design and warm-white beam of light, these new-generation PAR lamps are ideal for general lighting and spot lighting in the hospitality industry. There is a choice of dimmable and non-dimmable versions. They are especially suitable for public areas such as lobbies, corridors, stairwells, where the light is always on. Compatible with existing fixtures with an E27 holder and designed for retrofit replacement of halogen/incandescent lamps, MASTER LEDspot PAR deliver huge energy savings and minimize maintenance cost without any reduction in brightness. The IP44-rated outdoor version of the PAR 38 lamp is one of the few energy-saving alternatives to incandescent PAR38 outdoor lamps available today. The dimmable PAR 20 is a perfect replacement for an incandescent spot.

Benefits

- Up to 80% energy saving compared to halogen lamps
- Retrofittable and compatible with existing fixtures with E27 holder
- Lower maintenance costs

Features

- Lifetime of 45,000 hours
- Dimmable (except PAR38 OD)
- UV- and IR-free light for less heat and protection for heat-sensitive objects
- Free of mercury and hazardous materials

MASTER LEDspot PAR

Application

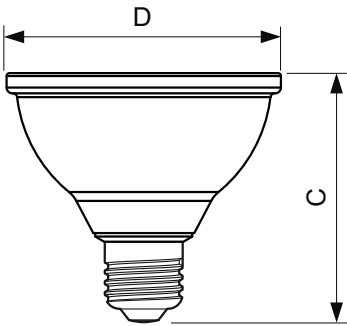
- Especially suitable for public areas like lobbies, corridors, stairwells and restaurants/bars

Versions

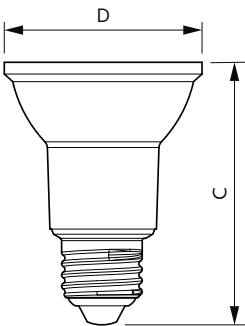


MASTER LEDspot PAR 50W E27 827 25D

Dimensional drawing



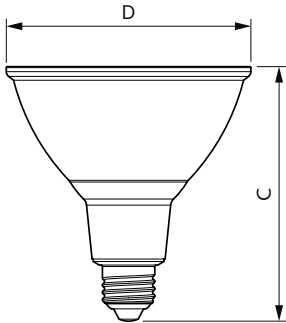
Product	D	C
MAS LEDspot CLA D 9.5-75W 840 PAR30S 25D	95 mm	86 mm
MAS LEDspot D 9-70W E27 927 PAR30S 25D	95 mm	86 mm



Product	D	C
MAS LEDspot D 6-50W E27 827 PAR20 25D	64 mm	85 mm

MASTER LEDspot PAR

Dimensional drawing



Product	D	C
MAS LEDspot D 13-100W E27 927 PAR38 25D	124 mm	130 mm
MAS LEDspot D 13-100W E27 927 PAR38 25D	124 mm	130 mm

General Information	
Cap-Base	E27
Light Technical	
Beam Angle (Nom)	25 degree(s)
LLMF At End Of Nominal Lifetime (Nom)	70 %
Operating and Electrical	
Voltage (Nom)	220-240 V
Starting Time (Nom)	0.5 s

Light Technical

Order Code	Full Product Name	Correlated Color Temperature (Nom)	Luminous Intensity (Nom)
71384600	MAS LEDspot CLA D 9.5-75W 840 PAR30S 25D	4000 K	3,500 cd
71412600	MAS LEDspot D 9-70W E27 927 PAR30S 25D	2700 K	3,000 cd
71408900	MAS LEDspot D 6-50W E27 827 PAR20 25D	2700 K	1,500 cd

Order Code	Full Product Name	Correlated Color Temperature (Nom)	Luminous Intensity (Nom)
91641000	MAS LEDspot D 13-100W E27 927 PAR38 25D	2700 K	3,500 cd
28771600	MAS LEDspot D 13-100W E27 927 PAR38 25D	2700 K	3,500 cd

Operating and Electrical

Order Code	Full Product Name	Input Frequency
71384600	MAS LEDspot CLA D 9.5-75W 840 PAR30S 25D	50 Hz
71412600	MAS LEDspot D 9-70W E27 927 PAR30S 25D	50 to 60 Hz
71408900	MAS LEDspot D 6-50W E27 827 PAR20 25D	50 to 60 Hz

Order Code	Full Product Name	Input Frequency
91641000	MAS LEDspot D 13-100W E27 927 PAR38 25D	50 to 60 Hz
28771600	MAS LEDspot D 13-100W E27 927 PAR38 25D	50 to 60 Hz

Temperature

Order Code	Full Product Name	T-Case Maximum (Nom)
71384600	MAS LEDspot CLA D 9.5-75W 840 PAR30S 25D	80 °C
71412600	MAS LEDspot D 9-70W E27 927 PAR30S 25D	80 °C
71408900	MAS LEDspot D 6-50W E27 827 PAR20 25D	80 °C

Order Code	Full Product Name	T-Case Maximum (Nom)
91641000	MAS LEDspot D 13-100W E27 927 PAR38 25D	75 °C
28771600	MAS LEDspot D 13-100W E27 927 PAR38 25D	75 °C

Controls and Dimming

MASTER LEDspot PAR

Order Code	Full Product Name	Dimmable
71384600	MAS LEDspot CLA D 9.5-75W 840 PAR30S 25D	Yes
71412600	MAS LEDspot D 9-70W E27 927 PAR30S 25D	Yes
71408900	MAS LEDspot D 6-50W E27 827 PAR20 25D	Yes
91641000	MAS LEDspot D 13-100W E27 927 PAR38 25D	Only with specific dimmers

Order Code	Full Product Name	Dimmable
28771600	MAS LEDspot D 13-100W E27 927 PAR38 25D	Only with specific dimmers

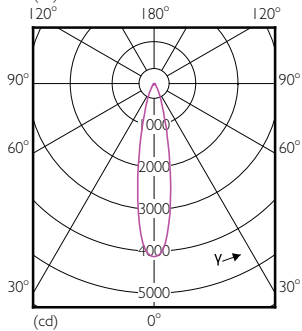
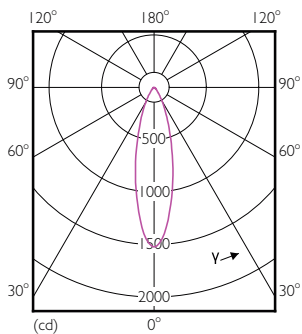
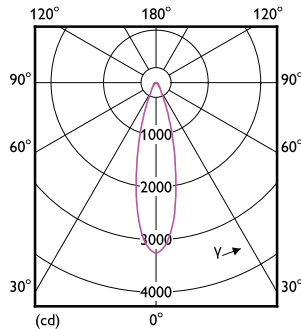
Mechanical and Housing

Order Code	Full Product Name	Bulb Finish	Bulb Shape
71384600	MAS LEDspot CLA D 9.5-75W 840 PAR30S 25D	-	PAR30S
71412600	MAS LEDspot D 9-70W E27 927 PAR30S 25D	-	PAR30S
71408900	MAS LEDspot D 6-50W E27 827 PAR20 25D	-	PAR20

Order Code	Full Product Name	Bulb Finish	Bulb Shape
91641000	MAS LEDspot D 13-100W E27 927 PAR38 25D	Clear	PAR38
28771600	MAS LEDspot D 13-100W E27 927 PAR38 25D	-	PAR38

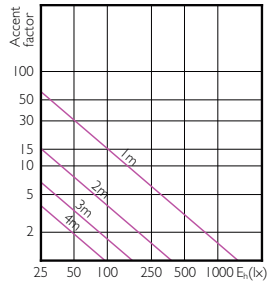
Approval and Application

Order Code	Full Product Name	Energy Consumption kWh/1000 h
71384600	MAS LEDspot CLA D 9.5-75W 840 PAR30S 25D	10 kWh
71412600	MAS LEDspot D 9-70W E27 927 PAR30S 25D	9 kWh
71408900	MAS LEDspot D 6-50W E27 827 PAR20 25D	6 kWh
91641000	MAS LEDspot D 13-100W E27 927 PAR38 25D	-
28771600	MAS LEDspot D 13-100W E27 927 PAR38 25D	-

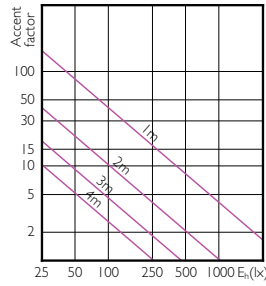


MASTER LEDspot PAR

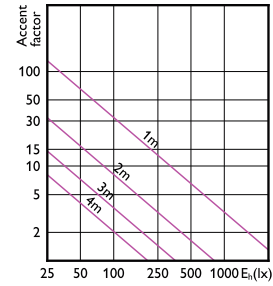
Accent Diagrams



Accent Diagram - MAS LEDspot D 6-50W E27
827 PAR20 25D

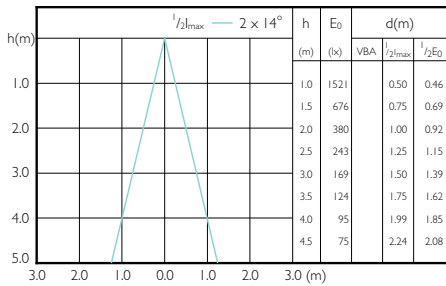


Accent Diagram - MAS LEDspot CLA D 9.5-75W
840 PAR30S 25D

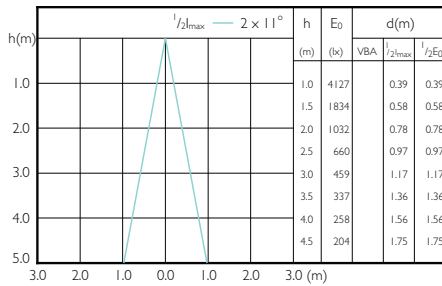


Accent Diagram - MAS LEDspot D 13-100W E27
927 PAR38 25D

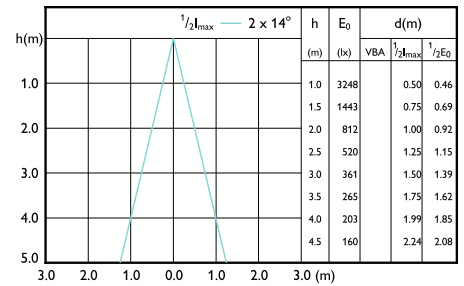
Beam Diagrams



Beam diagram - MAS LEDspot D 6-50W E27
827 PAR20 25D



Beam diagram - MAS LEDspot CLA D 9.5-75W
840 PAR30S 25D



Beam diagram - MAS LEDspot D 13-100W E27
927 PAR38 25D

