

Description

Electronic transformers

A high frequency electronic transformer for operation with 12V halogen lamps. It is fully IEC compliant with unique compact size and light weight

Benefits

- High efficiency compared with magnetic transformer
- Flexible dimming with leading and trailing edge dimmers
- Environment friendly without Hum and Noise (<30dB at 1m distance)
- Easy lumi design with compact dimension

Features

- One universal driver which cover all market in APR (220~240V, 50/60Hz)
- Overheating protection
- Quick ignition time (<0.8s)
- 20k Hours @Tc=65°C with 90% survival
- Lead wire
- >0.95 power factor
- SELV

Application

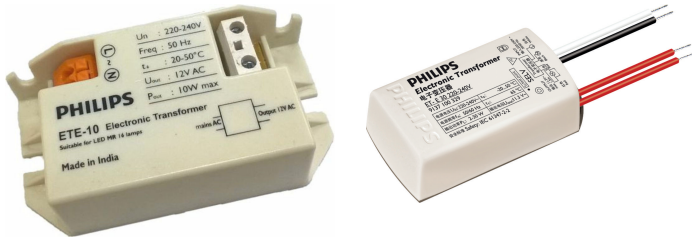
- Indoor residential: living rooms, decorative and accent lighting
- In professional areas: reception areas, offices, retail area and exhibition rooms

Warnings and Safety

- Transformer is not suitable for DC operation

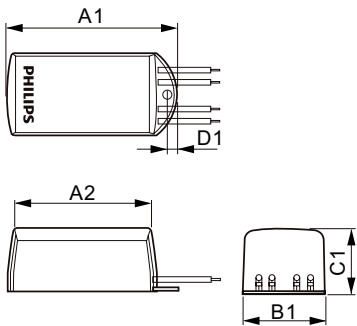
Electronic transformers

Versions



ET-E 10 LED

Dimensional drawing



Product	D1	C1	A1	B1	
ET-E 10 220-240V	4.4 mm	24.5 mm	76.0 mm	38.0 mm	
ET-E 30 220-240V	4.4 mm	24.5 mm	76 mm	38 mm	72 mm

Operating and Electrical

Input Frequency	50 to 60 Hz
Input Voltage	220 to 240 V

General Information

Order Code	Full Product Name	Number Of Products On MCB (16A Type B) (Max)	Lamp Type
72907600	ET-E 10W LED 220V-240V	-	-

Order Code	Full Product Name	Number Of Products On MCB (16A Type B) (Max)	Lamp Type
17165100	ET-E 30 220-240V	50	-

System characteristics

Order Code	Full Product Name	Rated Ballast-Lamp Power
72907600	ET-E 10W LED 220V-240V	10 W

Order Code	Full Product Name	Rated Ballast-Lamp Power
17165100	ET-E 30 220-240V	30 W

Electronic transformers

