



Mains-voltage capsule with very high light output

CorePro LEDcapsule MV

This single-ended mains-voltage capsule for G9-base luminaires delivers directional light, making it a true alternative to halogen capsule lamps. It is particularly suitable for task lighting in shops, hotels and restaurants, and ideal for desk lamps and cabinet lighting. Compatible with existing fixtures with G9 holders and designed for retrofit replacement of halogen capsules, CorePro LEDcapsule delivers huge energy savings and minimizes maintenance costs, without any compromise on light quality.

Benefits

- White light
- Up to 90% energy saving compared with halogen lamps
- Lower maintenance costs
- Broad compatibility with transformers

Features

- Easy retrofit
- Lifetime of 15,000 hours
- UV- and IR-free light
- Free of mercury and hazardous materials

Application

- Hotels, museums, shops
- Washrooms, reception areas, exhibitions, display cabinets

CorePro LEDcapsule MV

Versions



LEDcapsule CorePro 2W G9



LEDcapsule ND 4.8-60W G9

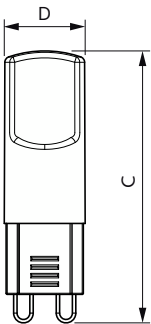


LED G9 230V Dim 2 POS2

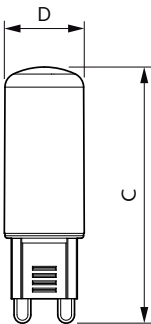


LED G9 230V Dim 1 POS2

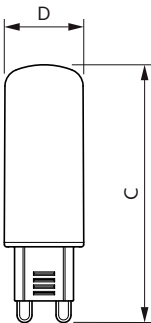
Dimensional drawing



Product	D	C
CorePro LEDcapsule 2-25W ND G9 830	14.5 mm	48 mm



Product	D	C
CorePro LEDcapsuleMV 2.6-25W G9 827 D	15 mm	52 mm



Product	D	C
CorePro LEDcapsule ND 4.8-60W G9 830	19 mm	60 mm
CorePro LEDcapsuleMV 4-40W G9 827 D	18 mm	59 mm

CorePro LEDcapsule MV

General Information

Cap-Base G9

Light Technical

LLMF At End Of Nominal Lifetime (Nom) 70 %

Operating and Electrical

Input Frequency 50 to 60 Hz
Voltage (Nom) 220-240 V
Starting Time (Nom) 0.5 s

Mechanical and Housing

Bulb Shape Capsule

Light Technical

Order Code	Full Product Name	Correlated Color Temperature (Nom)
30391100	CorePro LEDcapsule 2-25W ND G9 830	3000 K
65818200	CorePro LEDcapsule ND 4.8-60W G9 830	3000 K

Order Code	Full Product Name	Correlated Color Temperature (Nom)
76673300	CorePro LEDcapsuleMV 4-40W G9 827 D	2700 K
76669600	CorePro LEDcapsuleMV 2.6-25W G9 827 D	2700 K

Temperature

Order Code	Full Product Name	T-Case Maximum (Nom)
30391100	CorePro LEDcapsule 2-25W ND G9 830	78 °C
65818200	CorePro LEDcapsule ND 4.8-60W G9 830	99 °C

Order Code	Full Product Name	T-Case Maximum (Nom)
76673300	CorePro LEDcapsuleMV 4-40W G9 827 D	86 °C
76669600	CorePro LEDcapsuleMV 2.6-25W G9 827 D	86 °C

Controls and Dimming

Order Code	Full Product Name	Dimmable
30391100	CorePro LEDcapsule 2-25W ND G9 830	No
65818200	CorePro LEDcapsule ND 4.8-60W G9 830	No

Order Code	Full Product Name	Dimmable
76673300	CorePro LEDcapsuleMV 4-40W G9 827 D	Only with specific dimmers
76669600	CorePro LEDcapsuleMV 2.6-25W G9 827 D	Only with specific dimmers

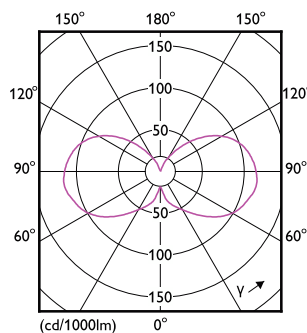
Mechanical and Housing

Order Code	Full Product Name	Bulb Finish
30391100	CorePro LEDcapsule 2-25W ND G9 830	Clear
65818200	CorePro LEDcapsule ND 4.8-60W G9 830	-

Order Code	Full Product Name	Bulb Finish
76673300	CorePro LEDcapsuleMV 4-40W G9 827 D	Frosted
76669600	CorePro LEDcapsuleMV 2.6-25W G9 827 D	Frosted

Approval and Application

Order Code	Full Product Name	Energy Consumption kWh/1000 h
30391100	CorePro LEDcapsule 2-25W ND G9 830	2 kWh
65818200	CorePro LEDcapsule ND 4.8-60W G9 830	5 kWh
76673300	CorePro LEDcapsuleMV 4-40W G9 827 D	4 kWh
76669600	CorePro LEDcapsuleMV 2.6-25W G9 827 D	3 kWh



CorePro LEDcapsule MV

