

HF-Matchbox Blue

HF-M BLUE 114 LH TL/PL-S/PL-C 230-240V

HF-Matchbox Blue is an affordable, reliable, compact, lightweight and high-frequency ballast for use with system wattages below 25 W in combination with TL mini, TL-D, TL5 and TL5c, PL-T/C, and PL-L/S lamps. The HF-M Blue range has a robust design, meets all relevant international safety and performance standards and has an energy efficiency index (CELMA EEI) of A2.

Product data

General Information	
Lamp type	TL/PL-S/PL-C
Number of lamps	1 piece/unit
Number of products on MCB (16 A type B) (nom.)	101
Automatic restart	Yes
Operating and Electrical	
Input Voltage	230 to 240 V
Input frequency	50 to 60 Hz
Power factor 100% load (nom.)	0.64
Ignition time (max.)	0.5 s
Mains voltage performance (AC)	-8%~+6%
Mains voltage safety (AC)	-10%~+10%
Power losses (nom.)	2.9 W
Efficiency at full load [%]	86.7 %
Wiring	
Connector type input terminals	Insert
Colour input terminals	Grey
Colour output terminals	Grey
Connector type output terminals	Insert

Cable length from device to lamp	1.50 m
Cable length hot-wiring	0.30 m
Wire strip length	8.0-9.0 mm
Input terminal cross section	0.50-1.50 mm ²
Output terminal cross section	0.50-1.50 mm ²
System characteristics	
Rated ballast-lamp power	14 W
System power on PL-S	14.1 W
Rated lamp power on PL-S	14 W
Power loss on PL-S	2.2 W
Lamp power on PL-S	11.9 W
System power on PL-C	14.6 W
Rated lamp power on PL-C	14 W
Power loss on PL-C	2.4 W
Lamp power on PL-C	12.2 W
Lamp power on TL	11.8 W
Rated lamp power on TL	14 W
System power on TL	15.7 W
Power loss on TL	3.9 W

HF-Matchbox Blue

Temperature

T-ambient (max.)	40 °C
T-ambient (min.)	-10 °C
T-Case maximum (max.)	75 °C

Mechanical and Housing

Housing	LH
---------	----

Emergency Operation

Battery voltage lamp ignition	194-254 V
-------------------------------	-----------

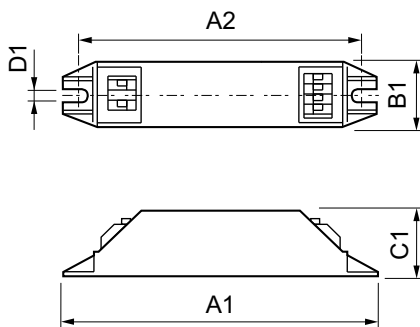
Approval and Application

IP classification	IP 20 [Ingress Protection 20]
Approval marks	F-Marking CE marking VDE certificate CB Certificate

Product Data

Full product code	871150053682230
Order product name	HF-M BLUE 114 LH TL/PL-S/PL-C 230-240V
EAN/UPC – product	8711500536822
Order code	53682230
SAP numerator – quantity per pack	1
Numerator – packs per outer box	50
SAP material	913700421766
SAP net weight (piece)	0.036 kg

Dimensional drawing



HF-M BLUE 114 LH TL/PL-S/PL-C 230-240V

Product

HF-M BLUE 114 LH TL/PL-S/PL-C 230-240V

