



Dynalite Multipurpose Controllers

DMC810GL

Multipurpose Controller combining leading edge and signal dimming control

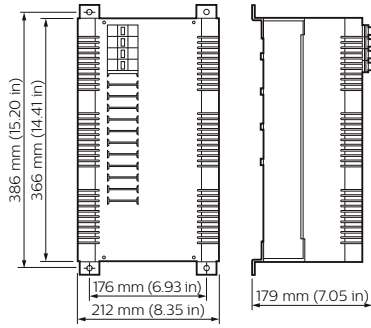
Multipurpose Controller combining leading edge and signal dimming control

Product data

General Information		Order product name	DMC810GL
CE mark	CE mark	EAN/UPC – product	8710163506326
Remarks	Please download the Lighting - Product Data Sheet for more information and ordering options	Order code	50632600
EU RoHS compliant	Yes	SAP numerator – quantity per pack	1
Application Conditions		Numerator – packs per outer box	1
Ambient temperature range	0 to +40 °C	SAP material	913703028009
Product Data		SAP net weight (piece)	6.750 kg
Full product code	871016350632600		

Dynalite Multipurpose Controllers

Dimensional drawing



Dynalite Multipurpose Controllers

