

Dynalite Signal Dimmer Controllers

DDBC516FR

5 channelsselectable to DALI broadcast; DALI addressed (max. 10 DALI loads/channel); 1-10V (max 10 mA Sink or Source/channel or; DSI (max. 5 DSI loads/channel).

5 channels - selectable to DALI broadcast; DALI addressed (max. 10 DALI loads/channel); 1-10V (max 10 mA Sink or Source/channel or; DSI (max. 5 DSI loads/channel).

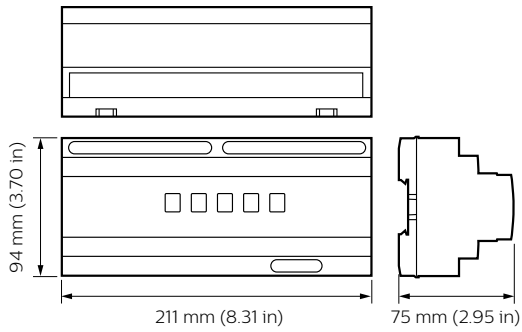
Product data

General information	
CE mark	CE mark
Remarks	Please download the Lighting - Product Data Sheet for more information and ordering options
EU RoHS compliant	Yes
Application conditions	
Ambient temperature range	0 to +40 °C
Product data	
Full product code	871016352310100

Order product name	DDBC516FR
EAN/UPC – product	8710163523101
Order code	913703031509
SAP numerator – quantity per pack	1
Numerator – packs per outer box	1
SAP material	913703031509
Copy Net Weight (Piece)	0.330 kg

Dynalite Signal Dimmer Controllers

Dimensional drawing



DDBC516FR

