



Dynalite Relay Controllers

DMRC210

2 channel compact Relay Controller

2 channel compact Relay Controller

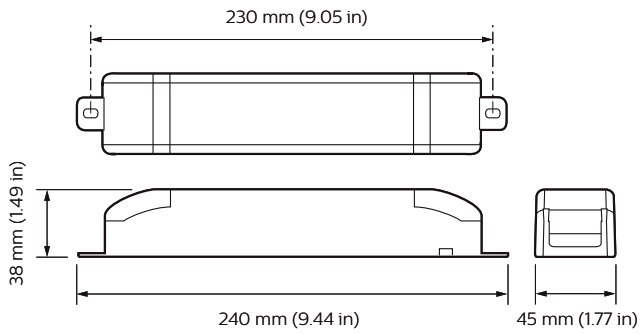
Product data

General information	
CE mark	CE mark
Type description – long text	2 channel compact Relay Controller
Remarks	Please download the Lighting – Product Data Sheet for more information and ordering options
EU RoHS compliant	Yes
Application conditions	
Ambient temperature range	0 to +50 °C
Product data	
Full product code	871016350688300

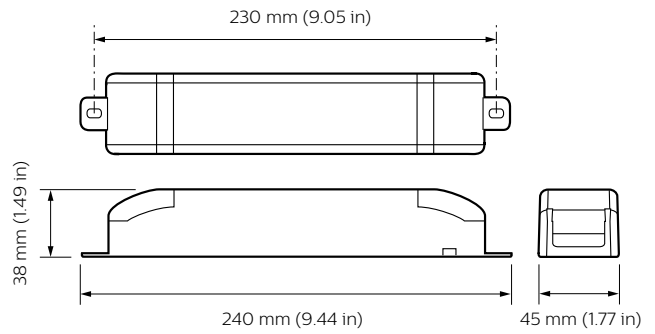
Order product name	DMRC210
EAN/UPC – product	8710163506883
Order code	50688300
SAP numerator – quantity per pack	1
Calculated local code description B2B	MODULO CONTROLE DMRC210
Numerator – packs per outer box	1
SAP material	913703050009
Net Weight (Piece)	0.700 kg

Dynalite Relay Controllers

Dimensional drawing



DMRC210



DMRC210

