



Dynalite System Integration

DPMI940-DALI

Four-way dry contact DALI interface

Four-way dry contact DALI interface

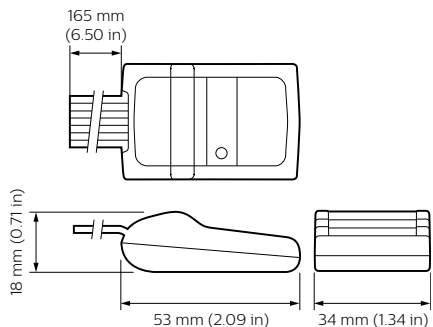
Product data

General Information	
CE mark	CE mark
Remarks	Please download the Lighting - Product Data Sheet for more information and ordering options
EU RoHS compliant	Yes
Application Conditions	
Ambient temperature range	0 to +50 °C
Product Data	
Full product code	871016352366800

Order product name	DPMI940-DALI
EAN/UPC – product	8710163523668
Order code	52366800
SAP numerator – quantity per pack	1
Numerator – packs per outer box	1
SAP material	913703080609
SAP net weight (piece)	29.000 g

Dynalite System Integration

Dimensional drawing



Dynalite System Integration

