



Dynalite Network Accessories

DDPB22-RJ12

Network Junction Box for termination of 22 DyNet flat cables

Network Junction Box for termination of 22 DyNet flat cables

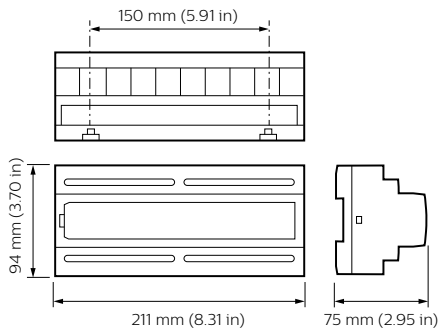
Product data

| General Information | |
|---------------------------|---|
| CE mark | CE mark |
| Remarks | Please download the Lighting - Product Data Sheet for more information and ordering options |
| EU RoHS compliant | Yes |
| Application Conditions | |
| Ambient temperature range | 0 to +40 °C |
| Product Data | |
| Full product code | 871016352850200 |

| | |
|-----------------------------------|---------------|
| Order product name | DDPB22-RJ12 |
| EAN/UPC – product | 8710163528502 |
| Order code | 52850200 |
| SAP numerator – quantity per pack | 1 |
| Numerator – packs per outer box | 1 |
| SAP material | 913703097809 |
| SAP net weight (piece) | 0.250 kg |

Dynalite Network Accessories

Dimensional drawing



Dynalite Network Accessories

