



MASTER LEDspot ExpertColor LV

MASTER LED MR16 ExpertColor 7.2-50W 927 60D

MASTER LEDspot LV ExpertColor creates a warm and comfortable ambience for hospitality venues, homes and restaurants. It creates such an ambience with superior lighting that has a customised spectrum, high CRI and deep dimming feature. The result? A beautiful lighting experience. What's more, the innovative, trimless lens design will suit almost any interior decor with its clean and neat look. In addition, you can take advantage of the full ExpertColor family, which also includes LEDspot MV and LEDspot Par lamps.

Product data

| General Information | | LLMF at end of nominal lifetime (nom.) 70 % | |
|-------------------------------------|-----------------|---|--------|
| Cap base | GU5.3 [GU5.3] | | |
| EU RoHS compliant | Yes | Operating and Electrical | |
| Nominal lifetime (nom.) | 40000 h | Input frequency | - Hz |
| Switching cycle | 50,000X | Power (Rated) (Nom) | 7.2 W |
| Technical type | 7.2-50W | Lamp current (nom.) | 800 mA |
| Light Technical | | Wattage equivalent | 50 W |
| Colour Code | 927 | Starting time (nom.) | 0.5 s |
| Beam Angle (Nom) | 60 ° | Warm-up time to 60% light (nom.) | 1 s |
| Luminous flux (nom.) | 450 lm | Power factor (nom.) | 0.7 |
| Luminous intensity (nom.) | 410 cd | Voltage (Nom) | 12 V |
| Colour designation | Warm White (WW) | Temperature | |
| Correlated Colour Temperature (Nom) | 2700 K | T-Case maximum (nom.) | 92 °C |
| Luminous efficacy (rated) (nom.) | 62.50 lm/W | Controls and Dimming | |
| Colour consistency | <3 | Dimmable | Yes |
| Colour rendering index (nom.) | 97 | | |

MASTER LEDspot ExpertColor LV

Mechanical and Housing

Bulb shape MR16 [2inch/50mm]

Approval and Application

Suitable for accent lighting Yes

Energy consumption kWh/1,000 hours - kWh

Product Data

Full product code 871869671950300
 Order product name MASTER LED MR16 ExpertColor 7.2-50W 927 60D
 60D

EAN/UPC – product 8718696719503

Order code 71950300

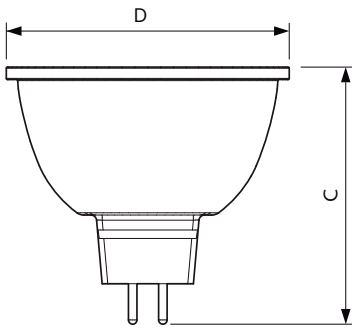
SAP numerator – quantity per pack 1

Numerator – packs per outer box 10

SAP material 929001341408

SAP net weight (piece) 0.034 kg

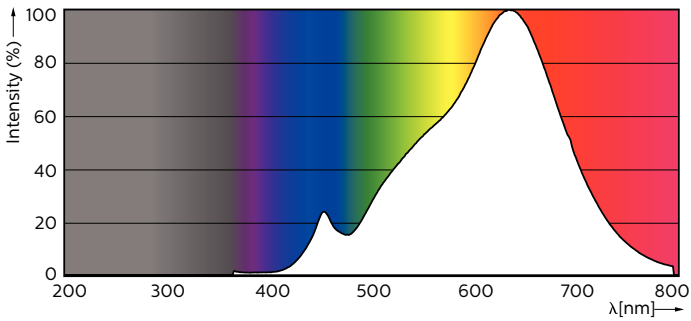
Dimensional drawing



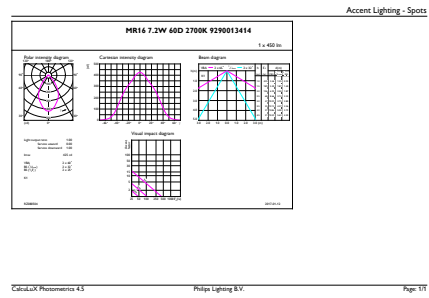
MAS LED MR16 ExpertColor 7.2-50W 927 60D

| Product | D | C |
|---|---------|-------|
| MASTER LED MR16 ExpertColor 7.2-50W 927 60D | 50.5 mm | 46 mm |

Photometric data



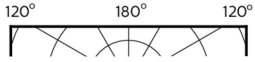
Master LEDspot ExpertColor LV 50W EZ10 927 10D



Master LEDspot ExpertColor LV 50W GU5.3 927 60D

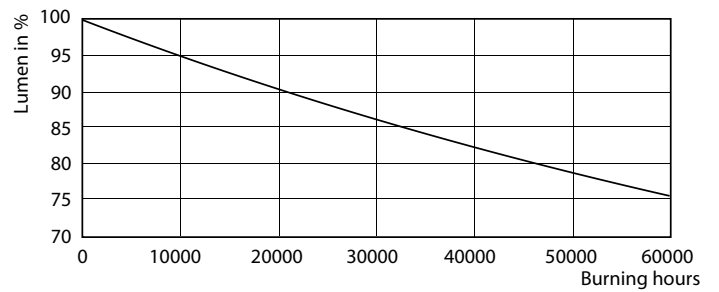
MASTER LEDspot ExpertColor LV

Photometric data



Master LEDspot ExpertColor LV 50W GU5.3 927 60D

Lifetime



Master LEDspot ExpertColor LV 50W EZ10 927 10D

Master LEDspot ExpertColor LV 50W EZ10 927 10D

