



# Essential LEDspot MR16

## ESS LED MR16 3-35W 36D 865 SO 100-240V

Essential LEDspots MR16 are compatible with most existing fixtures with a GU5.3 socket and are designed as a retrofit replacement for halogen spots. Essential LEDspots MR16 deliver significant energy savings and minimise the initial investment.

### Product data

General Information	
Cap base	GU5.3 [ GU5.3]
EU RoHS compliant	Yes
Nominal lifetime (nom.)	15000 h
Switching cycle	50,000X
Technical type	3-35W

Light Technical	
Colour Code	865 [ CCT of 6,500 K]
Beam Angle (Nom)	36 °
Luminous flux (nom.)	230 lm
Luminous intensity (nom.)	550 cd
Colour designation	Cool Daylight
Correlated Colour Temperature (Nom)	6500 K
Luminous efficacy (rated) (nom.)	76.00 lm/W
Colour consistency	<6
Colour rendering index (nom.)	80
LLMF at end of nominal lifetime (nom.)	70 %

Operating and Electrical	
Input frequency	50 to 60 Hz
Power (Rated) (Nom)	3 W
Wattage equivalent	35 W
Starting time (nom.)	0.5 s
Warm-up time to 60% light (nom.)	0.5 s
Power factor (nom.)	0.4
Voltage (Nom)	100-240 V

Temperature	
T-Case maximum (nom.)	55 °C

Controls and Dimming	
Dimmable	No

Mechanical and Housing	
Bulb shape	MR16 [ 2inch/50mm]

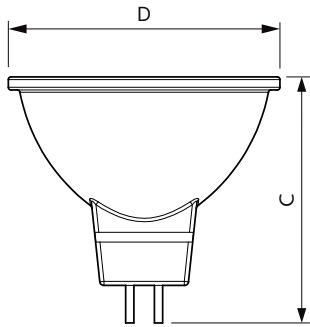
Approval and Application	
Suitable for accent lighting	Yes

# Essential LEDspot MR16

Energy consumption kWh/1,000 hours	3 kWh
<b>Product Data</b>	
Full product code	871869680917400
Order product name	ESS LED MR16 3-35W 36D 865 SO 100-240V
EAN/UPC – product	8718696809174
Order code	80917400

SAP numerator – quantity per pack	1
Numerator – packs per outer box	10
SAP material	929001874308
SAP net weight (piece)	0.038 kg

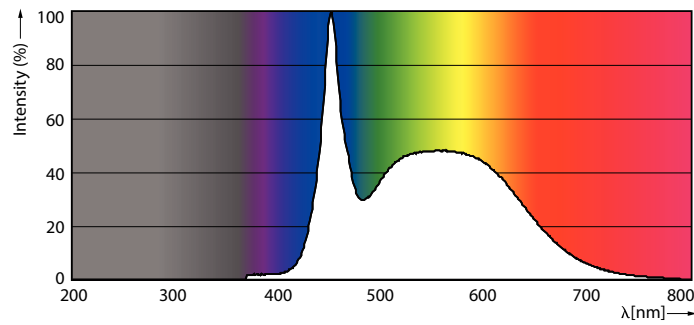
## Dimensional drawing



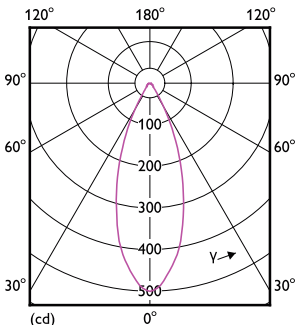
MR16 100-240V 3W-W 230lm 6500K GU5.3

Product	D	C
ESS LED MR16 3-35W 36D 865 SO 100-240V	50.5 mm	46.5 mm

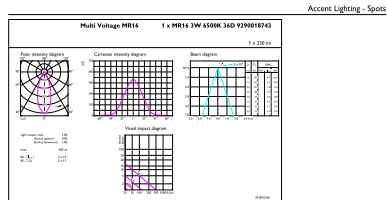
## Photometric data



3-35W GU5-3 MR16



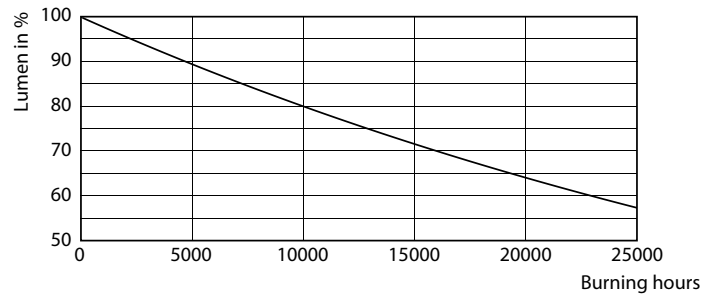
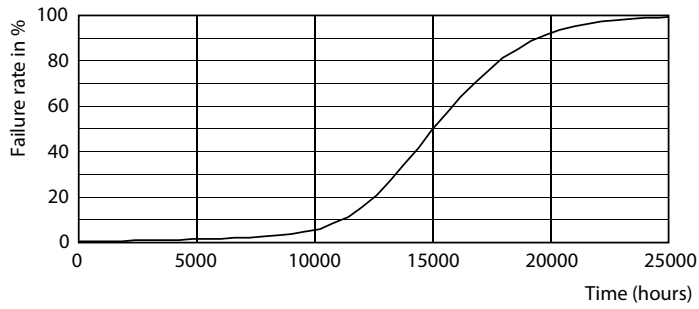
3-35W GU5-3 MR16 36D 865 6500K



3-35W GU5-3 MR16 36D 865 6500K

# Essential LEDspot MR16

## Lifetime



50W GU5-3 MR16

50W GU5-3 MR16

