



# Philips CitySoul LED gen2 mini: a versatile identity

## CitySoul gen2 LED Mini

CitySoul LED gen2 is one of the most versatile and inspirational LED urban street lighting families designed by Philips to date. This highly efficient range delivers excellent lighting levels whilst also providing the right ambience for all urban applications, from the suburbs to the city center. This modular city lighting family has evolved with new innovations such as the Lyre and the Accent bracket, making it the ideal toolbox for every urban context. To give your cityscape a coherent, elegant and discreet identity, the design is flatter, completely round, and the transitions with the spigot and bracket entirely flush. It also comes in two sizes and is suitable for side-entry, post-top, catenary and suspended mounting. CitySoul LED gen2 is highly efficient and easy to maintain. Thanks to the built in Philips LEDGINE-O engine, and the wide range of application-tailored optics, this urban lighting solution delivers the right amount of light and in the right direction on your street, enabling further energy savings. The luminaires can even be equipped with our dedicated light recipe that preserves dark skies. CitySoul LED gen2 is also future ready with a choice of one or two Philips System Ready (SR) sockets that enable the luminaire to be paired with both standalone and advanced control and lighting software applications such as Interact from Signify. In addition, every CitySoul LED gen2 luminaire is uniquely identifiable, thanks to the Signify Service tag app. By simply scanning a QR code, placed inside the door of the mast or directly on the luminaire, you can instantly access the configuration of the luminaire. This makes maintenance and programming operations faster and easier, and enables you to create a digital library of lighting assets and spare parts.

# CitySoul gen2 LED Mini

## Benefits

- An UrbanStyling lighting toolbox designed for every urban context
- One coherent, integrated design concept for luminaires, brackets and poles
- Future-proof thanks to SR socket compatible with all Philips' standard and advanced lighting controls
- Service tag for easy installation and maintenance

## Features

- A broad range of elegant, dedicated and complete sets, including poles and brackets, a tiltable option, double post-top and catenary versions
- Various features to deliver the most efficient and comfortable lighting level
- Easy maintenance on site
- Compatible with existing CitySoul pole and bracket ranges: Flip, Morph, Jump, Sweep

## Application

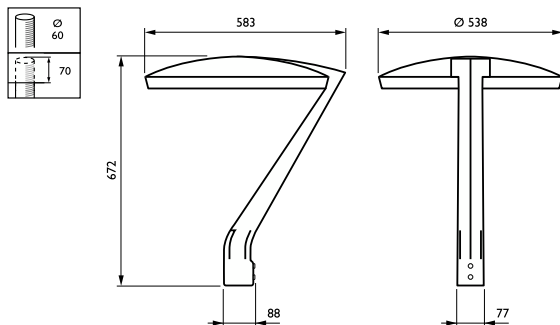
- City centers
- Parks and plazas
- Roads and streets
- Commercial districts

## Versions



BPP532 RET

## Dimensional drawing



## CitySoul gen2 LED Mini

