



MASTER LEDspot LV AR111

MAS LED ExpertColor 15-75W 927 AR111 24D

Delivering a warm, halogen-like accent beam, MASTER LEDspot LV AR111 is an ideal retrofit solution for spot and general lighting applications in the hospitality and retail industry. It is particularly suitable for general lighting where the light is on all the time, such as creative accent lighting applications in shops, restaurants, hotels, and especially for galleries, exhibitions and museums. The robustly designed MASTER LEDspot LV AR111 offers various beam angles for a clearly defined beam spread. There is no UV or IR in the beam, making it suitable for illuminating heat-sensitive objects (food, organic materials, paintings, etc.). The patented intelligent driver enables broad compatibility with existing electromagnetic and electronic halogen transformers. MASTER LEDspot LV AR111 delivers huge energy savings and minimizes maintenance cost without any reduction in brightness.

Product data

General Information	
Cap-Base	G53 [G53]
Nominal lifetime	40,000 hour(s)
Switching Cycle	50,000
Lighting Technology	LED
Light Technical	
Color Code	927 [CCT of 2700K]
Beam Angle (Nom)	24 degree(s)
Luminous Flux	950 lumen
Luminous Intensity (Nom)	3,500 cd
Color Designation	Warm White (WW)
Correlated Color Temperature (Nom)	2700 K
Luminous Efficacy (rated) (Nom)	63.00 lm/W

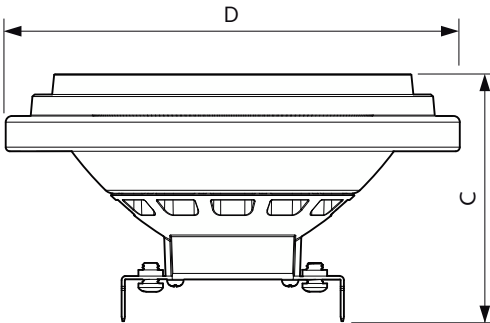
Color Consistency	<4
Color rendering index (CRI)	97
LLMF At End Of Nominal Lifetime (Nom)	70 %
Operating and Electrical	
Line Frequency	- Hz
Input Frequency	- Hz
Power Consumption	15 W
Lamp Current (Nom)	1,800 mA
Wattage Equivalent	75 W
Starting Time (Nom)	0.5 s
Warm-up time to 60% light	0.5 s
Power Factor (Fraction)	0.7

MASTER LEDspot LV AR111

Voltage (Nom)	ac electronic 12 V
Temperature	
T-Case Maximum (Nom)	74 °C
Controls and Dimming	
Dimmable	Yes
Mechanical and Housing	
Bulb Shape	AR111
Approval and Application	
Suitable For Accent Lighting	Yes
Energy Consumption kWh/1000 h	17 kWh

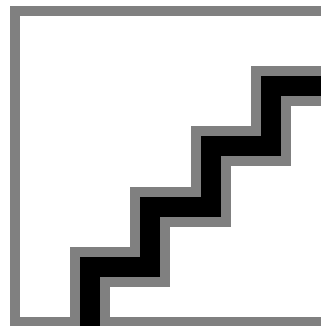
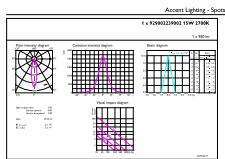
EU RoHS compliant	Yes
Product Data	
Full product code	871869969091500
Order product name	MAS LED ExpertColor 15-75W 927 AR111 24D
Order code	69091500
Numerator - Quantity Per Pack	1
Numerator - Packs per outer box	6
Material number (12NC)	929002239008
Full product name	MAS LED ExpertColor 15-75W 927 AR111 24D
EAN/UPC - Case	8718699690922

Dimensional drawing



Product	D	C
MAS LED ExpertColor 15-75W 927 AR111 24D	111 mm	62 mm

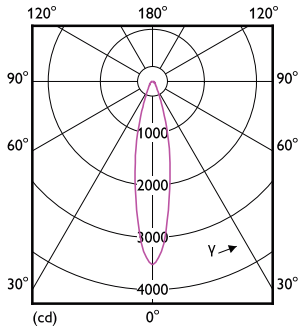
Photometric data



Spectral Power Distribution Colour - MAS LED ExpertColor 15-75W 927 AR111 24D

MASTER LEDspot LV AR111

Photometric data



Light Distribution Diagram - MAS LED ExpertColor 15-75W 927 AR111 24D

Lifetime



Life Expectancy Diagram - MAS LED ExpertColor 15-75W 927 AR111 24D



Lumen Maintenance Diagram - MAS LED ExpertColor 15-75W 927 AR111 24D

