



# MASTER LEDspot LV AR111

## MAS LED ExpertColor 15-75W 930 AR111 40D

With its new perfect-fit design, the Master LEDspot LV AR111 now works with most of G53 luminaires as a true retrofit solution. The lamp creates a brilliant visual effect for retail and hospitality applications such as shops, showrooms and galleries. The high quality light brings out the true colors in merchandise and emphasizes its beauty. It also lasts long, with a strong lumen and color maintenance. The beautifully designed lamp offers a well-defined beam with a multitude of beam angles to suit various applications. Not only does it employ the Philips patented solution to ensure it is compatible with a broad selection of standard 12V halogen electronic transformers, it also delivers high beam intensity which equivalent to halogen AR111 spots of 50W, 75W or 100W.

### Product data

General Information	
Cap-Base	G53 [G53]
Nominal lifetime	40,000 hour(s)
Switching Cycle	50,000
Lighting Technology	LED
EU RoHS compliant	Yes
Light Technical	
Color Code	930 [CCT of 3000K]
Beam Angle (Nom)	40 degree(s)
Luminous Flux	1,000 lumen
Luminous Intensity (Nom)	1,400 cd
Color Designation	White (WH)
Correlated Color Temperature (Nom)	3000 K
Luminous Efficacy (rated) (Nom)	66.00 lm/W

Color Consistency	<4
Color rendering index (CRI)	97
LLMF At End Of Nominal Lifetime (Nom)	70 %
Operating and Electrical	
Line Frequency	- Hz
Input Frequency	- Hz
Power Consumption	15 W
Lamp Current (Nom)	1,800 mA
Wattage Equivalent	75 W
Starting Time (Nom)	0.5 s
Warm-up time to 60% light	0.5 s
Power Factor (Fraction)	0.7
Voltage (Nom)	ac electronic 12 V

# MASTER LEDspot LV AR111

## Temperature

T-Case Maximum (Nom)	74 °C
----------------------	-------

## Controls and Dimming

Dimmable	Yes
----------	-----

## Mechanical and Housing

Bulb Shape	AR111
------------	-------

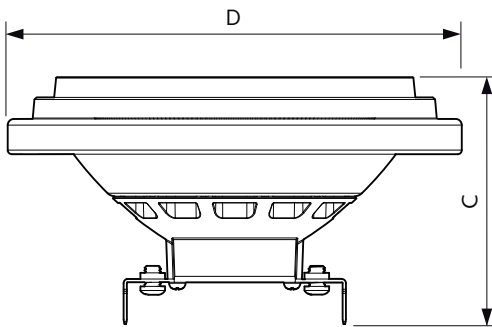
## Approval and Application

Suitable For Accent Lighting	Yes
Energy Consumption kWh/1000 h	17 kWh

## Product Data

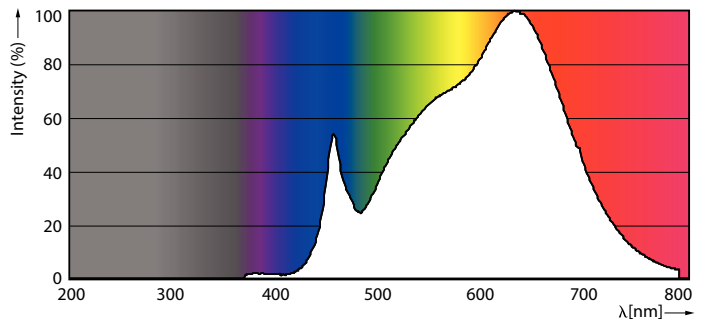
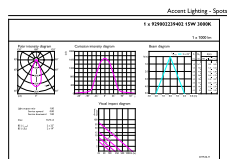
Full product code	871869969097700
Order product name	MAS LED ExpertColor 15-75W 930 AR111 40D
Order code	929002239408
Numerator - Quantity Per Pack	1
Numerator - Packs per outer box	6
Material Nr. (12NC)	929002239408
Full product name	MAS LED ExpertColor 15-75W 930 AR111 40D
EAN/UPC - Case	8718699690984
EAN/UPC - Product/Case	8718699690977

## Dimensional drawing



Product	D	C
MAS LED ExpertColor 15-75W 930 AR111 40D	111 mm	62 mm

## Photometric data

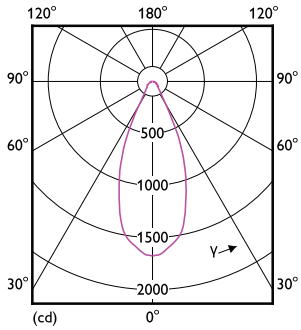


General uniform lighting - MAS LED ExpertColor 15-75W 930 AR111 40D

Spectral Power Distribution Colour - MAS LED ExpertColor 15-75W 930 AR111 40D

# MASTER LEDspot LV AR111

## Photometric data



Light Distribution Diagram - MAS LED ExpertColor 15-75W 930 AR111 40D

## Lifetime



Life Expectancy Diagram - MAS LED ExpertColor 15-75W 930 AR111 40D



Lumen Maintenance Diagram - MAS LED ExpertColor 15-75W 930 AR111 40D

