



MASTER LEDspot LV

MASTER LED SPOT VLE D 7.5-50W MR16 930 36D

Delivering a warm, halogen-like accent beam, MASTER LEDspot LV is an ideal retrofit solution for spot and general lighting applications in the hospitality industry. It is particularly suited to public areas such as receptions, lobbies, corridors, stairwells and washrooms, where the light is on all the time. The robustly designed MASTER LEDspot offers a choice of beam angles for a clearly defined beam spread. There is no UV or IR in the beam, making it suitable for illuminating heat-sensitive objects (food, organic materials, paintings, etc.). The patented intelligent driver enables broad compatibility with existing electromagnetic and electronic halogen transformers. The dimmable versions drive further efficiencies, while helping to create the desired atmosphere.

Warnings and Safety

- Operating temperature range is between -20° C and 45° C ambient
- Only to apply in dry or damp locations and most of open fixtures with lamp-holders that offer sufficient space (10 mm free air space)
- Not intended for use with emergency light fixtures or exit lights

Product data

General Information		Light Technical	
Cap base	GU5.3 [GU5.3]	Luminous intensity (nom.)	1600 cd
EU RoHS compliant	Yes	Colour designation	White (WH)
Nominal lifetime (nom.)	25000 h	Correlated Colour Temperature (Nom)	3000 K
Switching cycle	50,000X	Luminous efficacy (rated) (nom.)	84.00 lm/W
	Narrow Cone	Colour consistency	<6
		Colour rendering index (nom.)	90
		LLMF at end of nominal lifetime (nom.)	70 %
		Luminous flux in 90° cone (rated)	630 lm
Light Technical		Operating and Electrical	
Colour Code	930 [CCT of 3,000 K]	Input frequency	- Hz
Beam Angle (Nom)	36 °		
Luminous flux (nom.)	630 lm		

MASTER LEDspot LV

Power (Rated) (Nom)	7.5 W
Lamp current (nom.)	660 mA
Wattage equivalent	50 W
Starting time (nom.)	0.5 s
Warm-up time to 60% light (nom.)	0.5 s
Power factor (nom.)	0.7
Voltage (Nom)	ac electronic 12 V

Temperature

T-Case maximum (nom.)	95 °C
-----------------------	-------

Mechanical and Housing

Bulb shape	MR16 [2inch/50mm]
------------	--------------------

Approval and Application

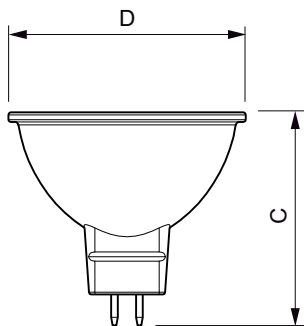
Energy Efficiency Class	F
-------------------------	---

Suitable for accent lighting	Yes
Energy consumption kWh/1,000 hours	8 kWh
	453181

Product Data

Full product code	871951430734600
Order product name	MASTER LED SPOT VLE D 7.5-50W MR16 930 36D
EAN/UPC – product	8719514307346
Order code	30734600
SAP numerator – quantity per pack	1
Numerator – packs per outer box	10
SAP material	929002493302
SAP net weight (piece)	0.045 kg

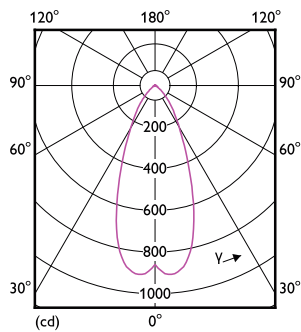
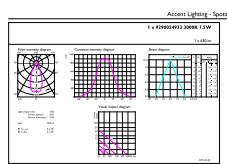
Dimensional drawing



MR16 12V 7-50W 630lm 36D 3000K GU5.3 D

Product	D	C
MASTER LED SPOT VLE D 7.5-50W MR16 930 36D	50.5 mm	45.5 mm

Photometric data

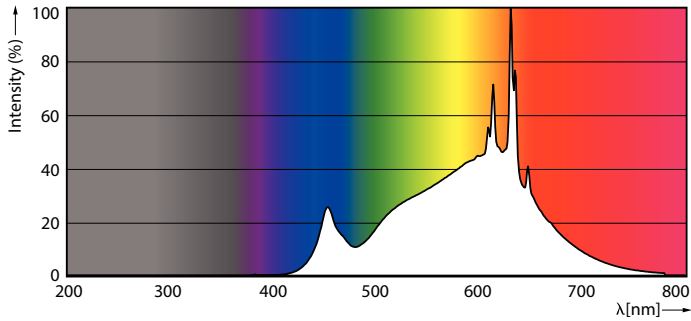


LEDspots MAS 7,5W MR16 GU5,3 930 36D

LEDspots MAS 7,5W MR16 GU5,3 930 36D

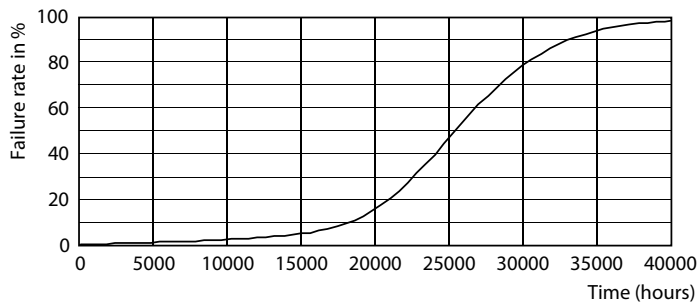
MASTER LEDspot LV

Photometric data

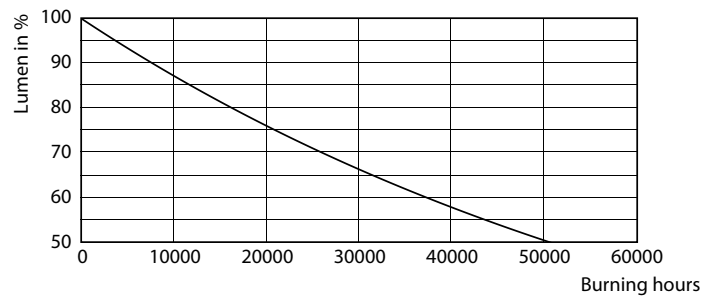


LEDspots MAS 7,5W MR16 GU5,3 930 36D

Lifetime



LEDspots LED 25K



LEDspots LMP 25K

