



MASTER LEDspot ExpertColor LV

MAS LED MR16 ExpertColor 6.7-50W 930 24D

MASTER LEDspot LV ExpertColor creates a warm and comfortable ambience for hospitality venues, homes and restaurants. It creates such an ambience with superior lighting that has a customized spectrum, high CRI, and deep dimming feature. The result? A beautiful lighting experience. What's more, the innovative, trimless lens design will suit almost any interior decor with its clean and neat look. In addition, you can take advantage of the full ExpertColor family, which also includes LEDspot MV and LEDspot Par lamps.

Product data

General Information		LLMF At End Of Nominal Lifetime (Nom) 70 %	
Cap-Base	GU5.3 [GU5.3]		
Nominal lifetime	40,000 hour(s)		
Switching Cycle	50,000		
Lighting Technology	LED		
EU RoHS compliant	Yes		
Light Technical		Operating and Electrical	
Color Code	930 [CCT of 3000K]	Line Frequency	- Hz
Beam Angle (Nom)	24 degree(s)	Input Frequency	- Hz
Luminous Flux	480 lumen	Power Consumption	6.7 W
Luminous Intensity (Nom)	2,400 cd	Lamp Current (Nom)	650 mA
Color Designation	White (WH)	Wattage Equivalent	50 W
Correlated Color Temperature (Nom)	3000 K	Starting Time (Nom)	0.5 s
Luminous Efficacy (rated) (Nom)	71.00 lm/W	Warm-up time to 60% light	0.5 s
Color Consistency	<3	Power Factor (Fraction)	0.7
Color rendering index (CRI)	97	Voltage (Nom)	ac electronic 12 V
		Temperature	
		T-Case Maximum (Nom)	92 °C

MASTER LEDspot ExpertColor LV

Controls and Dimming

Dimmable	Only with specific dimmers
----------	----------------------------

Mechanical and Housing

Bulb Shape	MR16 [2inch/50mm]
------------	-------------------

Approval and Application

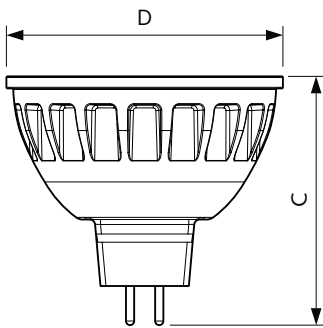
Suitable For Accent Lighting	Yes
------------------------------	-----

Product Data

Full product code	871951435711200
-------------------	-----------------

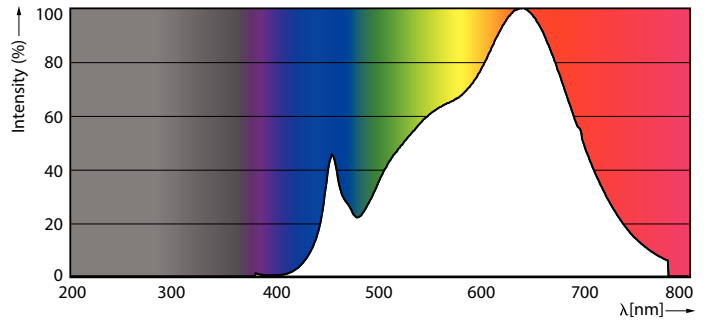
Order product name	MAS LED MR16 ExpertColor 6.7-50W 930 24D
Order code	929003077108
Numerator - Quantity Per Pack	1
Numerator - Packs per outer box	10
Material Nr. (12NC)	929003077108
Full product name	MAS LED MR16 ExpertColor 6.7-50W 930 24D
EAN/UPC - Case	8719514357129
EAN/UPC - Product/Case	8719514357112

Dimensional drawing



Product	D	C
MAS LED MR16 ExpertColor 6.7-50W 930 24D	50.5 mm	46 mm

Photometric data



Light Distribution Diagram - MAS LED MR16 ExpertColor 6.7-50W 930 24D

Spectral Power Distribution Colour - MAS LED MR16 ExpertColor 6.7-50W 930 24D

MASTER LEDspot ExpertColor LV

Photometric data



Accent Lighting Spots - MAS LED MR16 ExpertColor 6.7-50W 930 24D

Lifetime



Life Expectancy Diagram - MAS LED MR16 ExpertColor 6.7-50W 930 24D



Lumen Maintenance Diagram - MAS LED MR16 ExpertColor 6.7-50W 930 24D

