



MASTER LEDspot ExpertColor LV

MAS LED MR16 ExpertColor 6.7-50W 927 60D

MASTER LEDspot LV ExpertColor creates a warm and comfortable ambience for hospitality venues, homes and restaurants. It creates such an ambience with superior lighting that has a customized spectrum, high CRI, and deep dimming feature. The result? A beautiful lighting experience. What's more, the innovative, trimless lens design will suit almost any interior decor with its clean and neat look. In addition, you can take advantage of the full ExpertColor family, which also includes LEDspot MV and LEDspot Par lamps.

Product data

General Information	
Cap-Base	GU5.3 [GU5.3]
Nominal lifetime	40,000 hour(s)
Switching Cycle	50,000
Lighting Technology	LED
EU RoHS compliant	Yes
Light Technical	
Color Code	927 [CCT of 2700K]
Beam Angle (Nom)	60 degree(s)
Luminous Flux	450 lumen
Luminous Intensity (Nom)	410 cd
Color Designation	Warm White (WW)
Correlated Color Temperature (Nom)	2700 K
Luminous Efficacy (rated) (Nom)	67.00 lm/W
Color Consistency	<3
Color rendering index (CRI)	97

LLMF At End Of Nominal Lifetime (Nom) 70 %	
Operating and Electrical	
Line Frequency	- Hz
Input Frequency	- Hz
Power Consumption	6.7 W
Lamp Current (Nom)	650 mA
Wattage Equivalent	50 W
Starting Time (Nom)	0.5 s
Warm-up time to 60% light	0.5 s
Power Factor (Fraction)	0.7
Voltage (Nom)	ac electronic 12 V
Temperature	
T-Case Maximum (Nom)	92 °C

MASTER LEDspot ExpertColor LV

Controls and Dimming

Dimmable Only with specific dimmers

Mechanical and Housing

Bulb Shape MR16 [2inch/50mm]

Approval and Application

Suitable For Accent Lighting Yes

Product Data

Full product code 871951435881200

Order product name MAS LED MR16 ExpertColor 6.7-50W 927 60D

Order code 929003078508

Numerator - Quantity Per Pack 1

Numerator - Packs per outer box 10

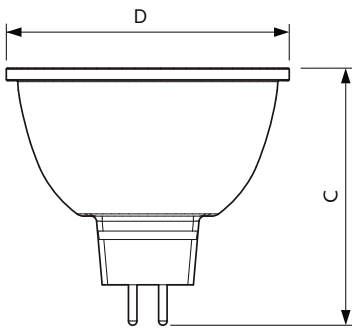
Material Nr. (12NC) 929003078508

Full product name MAS LED MR16 ExpertColor 6.7-50W 927 60D

EAN/UPC - Case 8719514358829

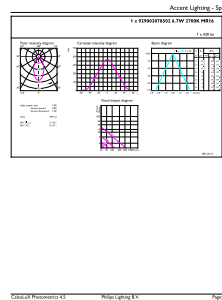
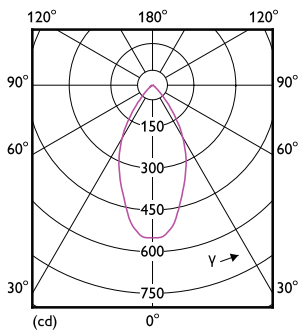
EAN/UPC - Product/Case 8719514358812

Dimensional drawing



Product	D	C
MAS LED MR16 ExpertColor 6.7-50W 927 60D	50.5 mm	46 mm

Photometric data

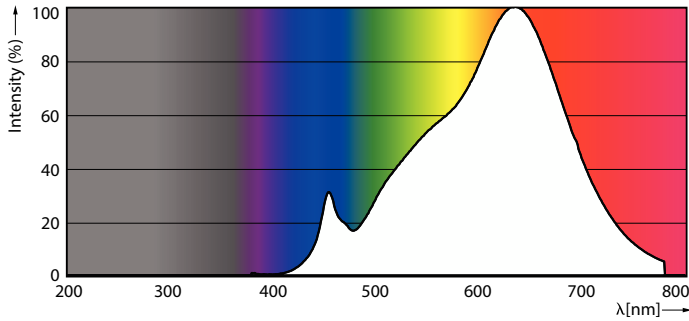


Light Distribution Diagram - MAS LED MR16 ExpertColor 6.7-50W 927 60D

Accent Lighting Spots - MAS LED MR16 ExpertColor 6.7-50W 927 60D

MASTER LEDspot ExpertColor LV

Photometric data



Spectral Power Distribution Colour - MAS LED MR16 ExpertColor 6.7-50W 927 60D

Lifetime



Life Expectancy Diagram - MAS LED MR16 ExpertColor 6.7-50W 927 60D



Lumen Maintenance Diagram - MAS LED MR16 ExpertColor 6.7-50W 927 60D

