



# MASTER LEDspot ExpertColor LV

## MAS LED MR16 ExpertColor 6.7-50W 930 60D

MASTER LEDspot LV ExpertColor creates a warm and comfortable ambience for hospitality venues, homes and restaurants. It creates such an ambience with superior lighting that has a customized spectrum, high CRI, and deep dimming feature. The result? A beautiful lighting experience. What's more, the innovative, trimless lens design will suit almost any interior decor with its clean and neat look. In addition, you can take advantage of the full ExpertColor family, which also includes LEDspot MV and LEDspot Par lamps.

### Product data

General Information	
Cap-Base	GU5.3 [GU5.3]
Nominal lifetime	40,000 hour(s)
Switching Cycle	50,000
Lighting Technology	LED
EU RoHS compliant	Yes

Light Technical	
Color Code	930 [CCT of 3000K]
Beam Angle (Nom)	60 degree(s)
Luminous Flux	480 lumen
Luminous Intensity (Nom)	440 cd
Color Designation	White (WH)
Correlated Color Temperature (Nom)	3000 K
Luminous Efficacy (rated) (Nom)	71.00 lm/W
Color Consistency	<3
Color rendering index (CRI)	97

LLMF At End Of Nominal Lifetime (Nom) 70 %	
--	--

Operating and Electrical	
Line Frequency	- Hz
Input Frequency	- Hz
Power Consumption	6.7 W
Lamp Current (Nom)	650 mA
Wattage Equivalent	50 W
Starting Time (Nom)	0.5 s
Warm-up time to 60% light	0.5 s
Power Factor (Fraction)	0.7
Voltage (Nom)	ac electronic 12 V

Temperature	
T-Case Maximum (Nom)	92 °C

# MASTER LEDspot ExpertColor LV

## Controls and Dimming

**Dimmable** Only with specific dimmers

## Mechanical and Housing

**Bulb Shape** MR16 [2inch/50mm]

## Approval and Application

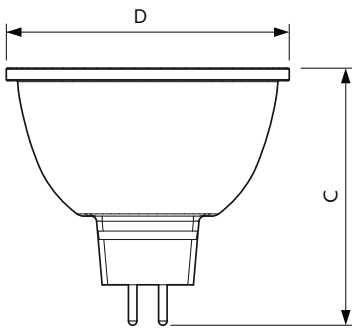
**Suitable For Accent Lighting** Yes

## Product Data

**Full product code** 871951435715000

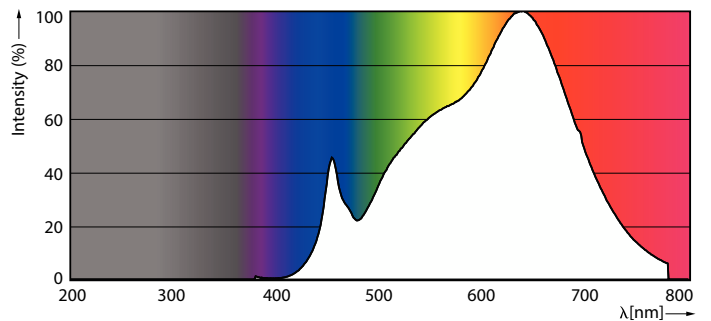
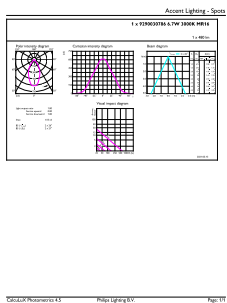
<b>Order product name</b>	MAS LED MR16 ExpertColor 6.7-50W 930 60D
<b>Order code</b>	929003078608
<b>Numerator - Quantity Per Pack</b>	1
<b>Numerator - Packs per outer box</b>	10
<b>Material Nr. (12NC)</b>	929003078608
<b>Full product name</b>	MAS LED MR16 ExpertColor 6.7-50W 930 60D
<b>EAN/UPC - Case</b>	8719514357167
<b>EAN/UPC - Product/Case</b>	8719514357150

## Dimensional drawing



Product	D	C
MAS LED MR16 ExpertColor 6.7-50W 930 60D	50.5 mm	46 mm

## Photometric data

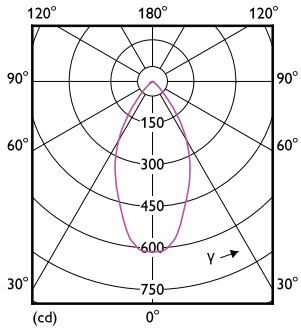


Accent Lighting Spots - MAS LED MR16 ExpertColor 6.7-50W 930 60D

Spectral Power Distribution Colour - MAS LED MR16 ExpertColor 6.7-50W 930 60D

# MASTER LEDspot ExpertColor LV

## Photometric data

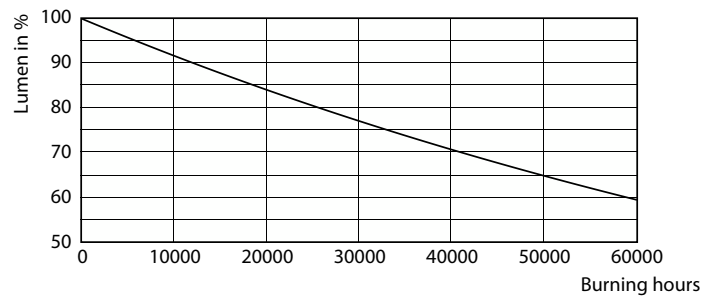


Light Distribution Diagram - MAS LED MR16 ExpertColor 6.7-50W 930 60D

## Lifetime



Life Expectancy Diagram - MAS LED MR16 ExpertColor 6.7-50W 930 60D



Lumen Maintenance Diagram - MAS LED MR16 ExpertColor 6.7-50W 930 60D

