

MASTER LEDspot ExpertColor LV

MASTER LED MR16 ExpertColor 6.7-50W 940 60D

MASTER LEDspot LV ExpertColor creates a warm and comfortable ambience for hospitality venues, homes and restaurants. It creates such an ambience with superior lighting that has a customised spectrum, high CRI and deep dimming feature. The result? A beautiful lighting experience. What's more, the innovative, trimless lens design will suit almost any interior decor with its clean and neat look. In addition, you can take advantage of the full ExpertColor family, which also includes LEDspot MV and LEDspot Par lamps.

Product data

General information	
Cap base	GU5.3 [GU5.3]
EU RoHS compliant	Yes
Nominal lifetime (nom.)	40000 h
Switching cycle	50,000X
Light technical	
Colour Code	940 [CCT of 4,000 K]
Beam Angle (Nom)	60 °
Luminous flux (nom.)	480 lm
Luminous intensity (nom.)	440 cd
Colour designation	Cool White (CW)
Correlated Colour Temperature (Nom)	4000 K
Luminous efficacy (rated) (nom.)	71.00 lm/W
Colour consistency	<3
Colour rendering index (nom.)	97

LLMF at end of nominal lifetime (nom.) 70 %	
Operating and electrical	
Input frequency	- Hz
Power (Rated) (Nom)	6.7 W
Lamp current (nom.)	650 mA
Wattage equivalent	50 W
Starting time (nom.)	0.5 s
Warm-up time to 60% light (nom.)	0.5 s
Power factor (nom.)	0.7
Voltage (Nom)	ac electronic 12 V
Temperature	
T-Case maximum (nom.)	92 °C

MASTER LEDspot ExpertColor LV

Controls and dimming

Dimmable Only with specific dimmers

Mechanical and housing

Bulb shape MR16 [2inch/50mm]

Approval and application

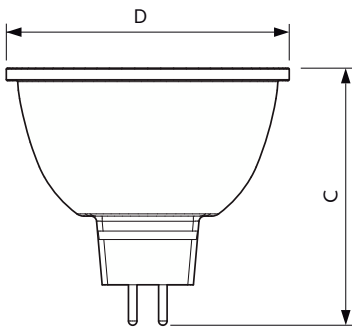
Suitable for accent lighting Yes

Product data

Full product code 871951435701300

Order product name	MASTER LED MR16 ExpertColor 6.7-50W 940 60D
EAN/UPC – product	8719514357013
Order code	35701300
SAP numerator – quantity per pack	1
Numerator – packs per outer box	10
SAP material	929003078708
Copy Net Weight (Piece)	0.052 kg

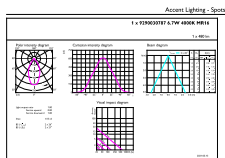
Dimensional drawing



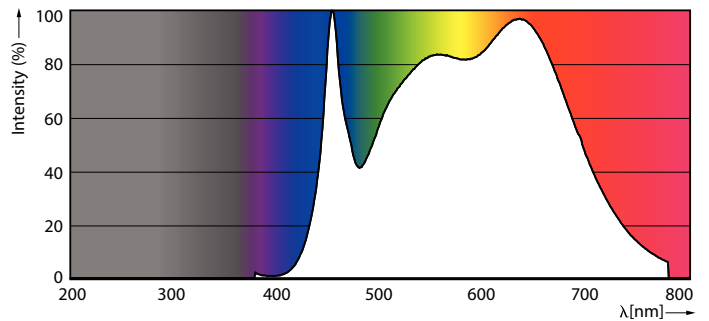
MASTER LED MR16 ExpertColor 6.7-50W 940 60D

Product	D	C
MASTER LED MR16 ExpertColor 6.7-50W 940 60D	50.5 mm	46 mm

Photometric data



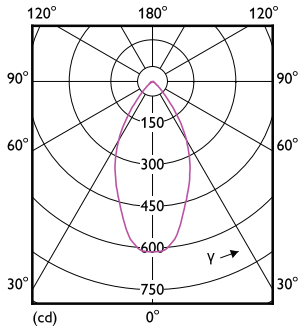
LEDspot MAS IC 6,7W MR16 GU5,3 940 60D-ADL



LEDspots MAS IC 6,7W MR16 GU5,3 940 60D-POC

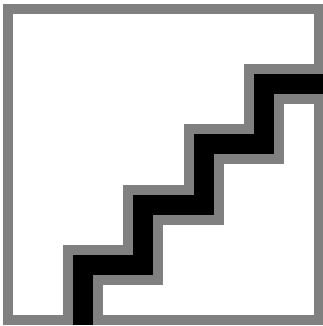
MASTER LEDspot ExpertColor LV

Photometric data

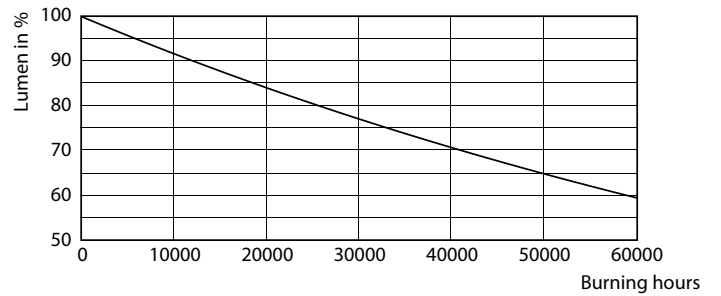


LEDspots MAS IC 6,7W MR16 GU5,3 930 60D-LDD

Lifetime



Life Expectancy Diagram



Lumen Maintenance Diagram

