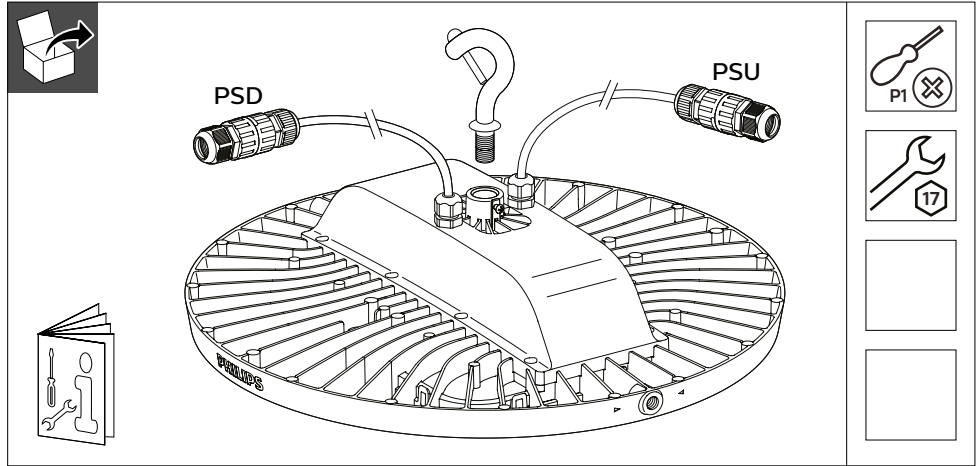


PHILIPS

CoreLine High-bay G3

BY120P/BY121P



220V
240V

50Hz
60Hz



IP65

IK07

GLOW
WIRE
650 °C

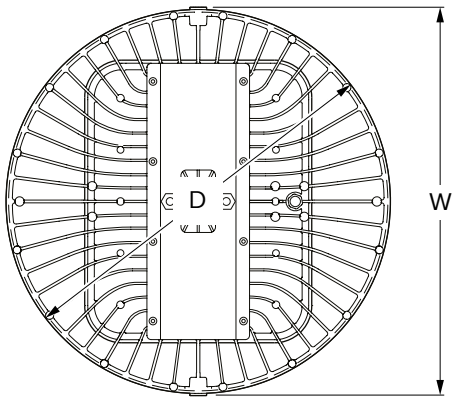
Ta
Min.
-30°C

Ta
Max.
40°C

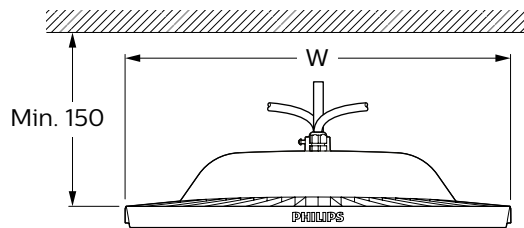
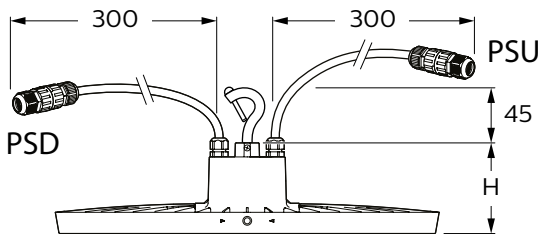
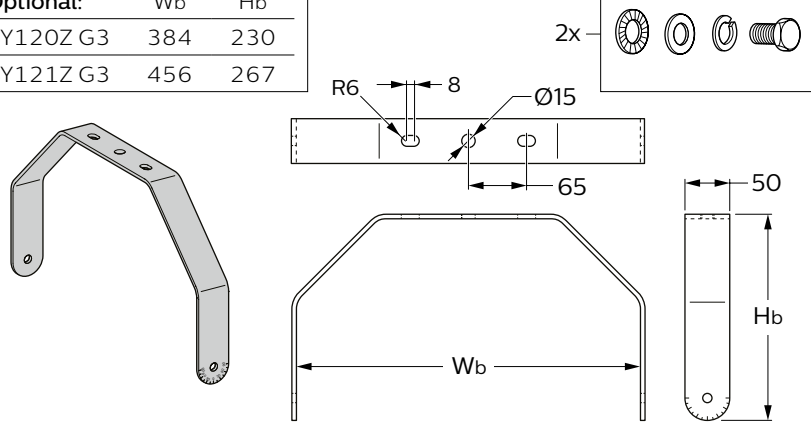


	System lumen (lm)	CCT	P (W)	Optics	D	H	W	kg
BY120P G3 LED105S/840 PSU WB GR	10500	4000	85		379	96	382	3.3
BY120P G3 LED105S/865 PSU WB GR		6500						
BY121P G3 LED205S/840 PSU WB GR	20500	4000	155	WB	452	107	454	4.8
BY121P G3 LED205S/865 PSU WB GR		6500						
BY120P G3 LED105S/840 PSD WB GR	10500	4000	85		379	96	382	3.3
BY121P G3 LED205S/840 PSD WB GR	20500	4000	155		452	107	454	4.8

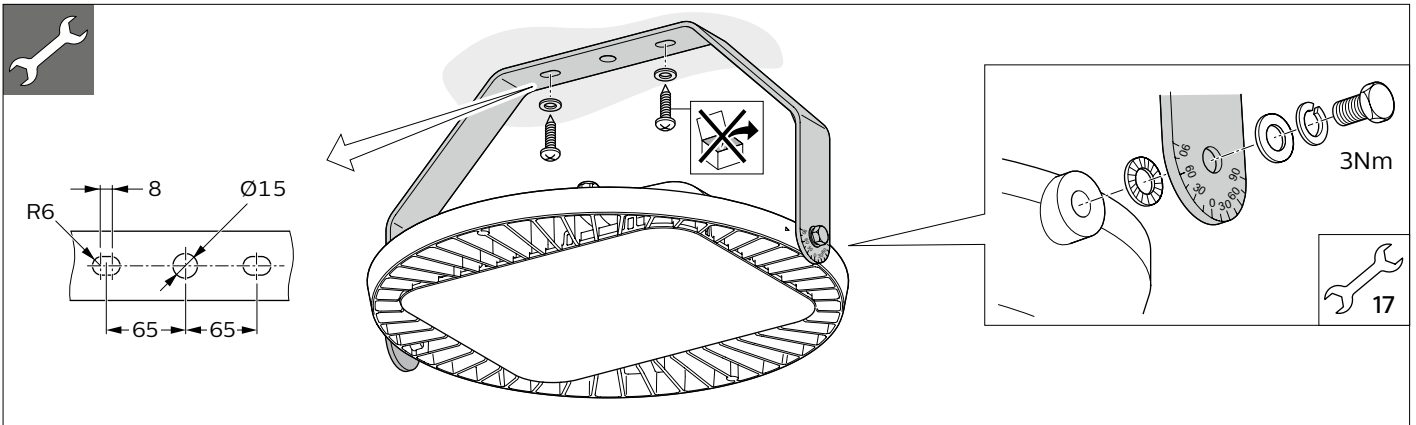
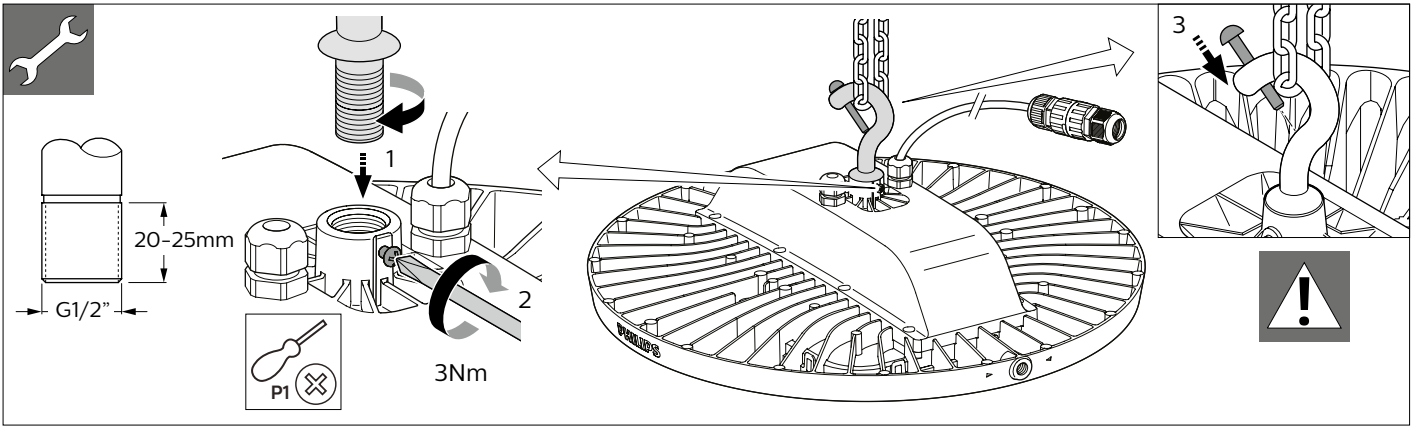
Dimensions in mm



Optional:	Wb	Hb
BY120Z G3	384	230
BY121Z G3	456	267



- The luminaire shall be installed or maintained by a qualified electrician and wired in accordance with the latest IEE electrical regulations or the national requirements.
- If the external flexible cable or cord of this luminaire is damaged, it shall be exclusively replaced by the manufacturer or his service agent or a similar qualified person in order to avoid a hazard.
- The light source contained in this luminaire shall only be replaced by the manufacturer or his service agent or a similar qualified person.



PSU

Cable: 60245IEC57
Min. 3x1,0 mm²
Max. 3x2,5 mm²
Ø 6.5 - Ø 7.5 mm

PSD

Cable: 60245IEC57
Min. 2x1,0 mm²
Max. 2x2,5 mm²
Ø 6.5 - Ø 7.5 mm

Inrush current

	BY120P G3 PSU	BY120P G3 PSD	BY121P G3 PSU	BY121P G3 PSD
Electrical characteristics				
I _{max} (A)	46	46	46	53
T _{ref} (µs)	440	250	440	300
MCB Units Max.				
B-16 A	11	11	11	8