



# An energy-efficient solution

## HF-Performer III for PL-T/C lamps

HF-Performer III PL-T/C is a sustainable, slim and high-frequency electronic ballast for PL-T and PL-C fluorescent lamps. It is ideal for applications where high energy efficiency is required. The HF-Performer III range has a robust design, meets all relevant international safety and performance standards and is energy efficient (CELMA EEI A2).

### Benefits

- Robust design that meets all relevant international safety and performance standards, in combination with good energy efficiency
- Automatic restart (after voltage dip or lamp exchange) ensures easy operation and hassle-free re-lamping.
- Suitable for DC emergency operation, 186 to 275 V (at -10 °C) and in line with IEC/EN 60598-2-22 luminaire norms

### Features

- 50,000-hour lifetime at maximum case temperature, combined with over 60,000 on/off switches on one lamp
- Programmed, flicker-free, pre-heated start (< 2.0 s) which allows the lamp to be switched on and off without reducing useful lamp life
- Active power factor correction to ensure constant light, irrespective of mains-voltage fluctuations
- The unit is protected against excessive mains voltage and incorrect connections.

# HF-Performer III for PL-T/C lamps

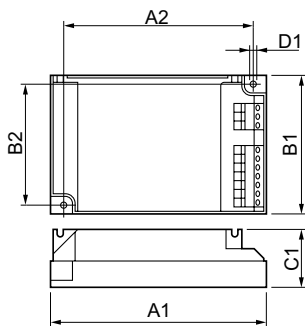
## Application

- Ideal for commercial indoor lighting applications where it is necessary to reduce the wattage per square meter or operating costs
- Used with movement-detection control systems like Philips OccuPlus
- Mainly for indoor applications such as spotlights, downlights and recessed fixtures used primarily in retail stores, office buildings, supermarkets, hotels and convenience stores
- Industrial premises with long operating hours

## Versions



## Dimensional drawing



Product	D1	C1	A1	A2	B1	B2
HF-P 1/218 PL-T/C III 220-240V	4.2 mm	30.0 mm	103.8 mm	93.5 mm	67.8 mm	57.5 mm
HF-P 1/226 PL-T/C III 220-240V	4.2 mm	30.0 mm	103.8 mm	93.5 mm	67.8 mm	57.5 mm

### Operating and Electrical

Input Frequency	50 to 60 Hz
Input Voltage	220 to 240 V

### General Information

Number Of Products On MCB (16A Type B) (Nom)	28
Number Of Lamps	2 piece/unit
Lamp Type	PL-T/C

### Mechanical and Housing

Housing	S 103x67x30
---------	-------------

## Approval and Application

## HF-Performer III for PL-T/C lamps

Order Code	Full Product Name	Energy Efficiency Index
83417800	HF-P 1/218 PL-T/C III 220-240V 50/60Hz	A2 BAT

Order Code	Full Product Name	Energy Efficiency Index
83423900	HF-P 1/226 PL-T/C III 220-240V 50/60Hz	A2/A2BAT

### System characteristics

Order Code	Full Product Name	Lamp Power On PL-T/C	Rated Ballast- Lamp Power
83417800	HF-P 1/218 PL-T/C III 220-240V 50/60Hz	31.2/16 W	18 W

Order Code	Full Product Name	Lamp Power On PL-T/C	Rated Ballast- Lamp Power
83423900	HF-P 1/226 PL-T/C III 220-240V 50/60Hz	45/23.63 W	26 W

