

# For flexibility in luminaire design and stock-keeping management

## HF-Performer Intelligent for TL5 HE/HO lamps

HF-Performer Intelligent for Master and ECO TL5 HE/HO, TL-D and PL-L lamps HF-Performer Intelligent features automatic recognition of the connected lamp and is independently able to adjust its operation parameters exactly to the respective lamp. This results in a substantial benefit, especially for T5 lamps, as it means TL5 HE and HO lamps of the same length can be interchanged. With a choice of seven ballasts, the customer is able to handle efficiently every possible combination of Master TL5 and Eco, TL-D, and PL-L lamps.

### Benefits

- Maximum reliability in system operation, and flexibility for designers, operators and facility managers in terms of stock-keeping management
- Multi-power technology for precise operation of multiple lamp types of various wattages
- Optimized for high maintenance efficiency and reliability: 5-year warranty

### Features

- Highest CELMA Energy Efficiency Index A2 BAT
- Complies with CE, ENEC, EL, VDE-EMC, CCC marks of conformity
- Average nominal service lifetime over 100,000 hours (at Ta 50 °C) with a failure rate  $\leq 0.1\%$  per 1,000 hours
- Optimized lamp preheating for a minimum of 50,000 On/Off switch operations without lamp replacement

# HF-Performer Intelligent for TL5 HE/HO lamps

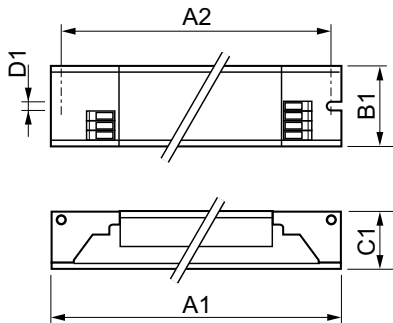
## Application

- Suitable for DC operation and emergency lighting installations; full compliance with requirements for emergency lighting according to EN 61347-2-3-annex J
- Extended lamp life in frequent-switching applications, e.g. where occupancy sensors or motion detectors are used
- For luminaires of protection class I and protection class II used in office buildings, hospitals, supermarkets, department stores, industrial premises and schools

## Versions



## Dimensional drawing



Δ?

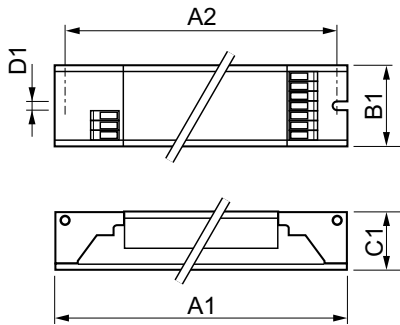
### Product

HF-Pi 1 28/35/49/80 TL5 EII

Product	D1	C1	A1	A2	B1
HF-Pi 3/4 14/24 TL5/PL-L EII 220-240V	4.2 mm	22 mm	360 mm	350 mm	30 mm

# HF-Performer Intelligent for TL5 HE/HO lamps

## Dimensional drawing



Product	D1	C1	A1	A2	B1
HF-Pi 2 14/21/24/39 TL5 EII 220-240V	4.2 mm	22 mm	360 mm	350 mm	30 mm
HF-Pi 2 28/35/49/54 TL5 EII 220-240V	4.2 mm	22 mm	360 mm	350 mm	30 mm

### Approval and Application

Energy Efficiency Index A2 BAT

### Operating and Electrical

Input Frequency 50 to 60 Hz

Input Voltage 220 to 240 V

### Emergency Operation

Emergency Ballast Lumen Factor (EBLF) (Nom) 100 %

### General Information

Number Of Products On MCB (16A Type B) (Nom) 12

### Mechanical and Housing

Housing L360x30x22

## General Information

Order Code	Full Product Name	Number Of Lamps	Lamp Type
91500930	HF-Pi 2 14/21/24/39 TL5 220-240V	2 piece/unit	TL5
91502330	HF-Pi 2 28/35/49/54 TL5 220-240V	2 piece/unit	TL5

Order Code	Full Product Name	Number Of Lamps	Lamp Type
86249200	HF-Pi 1 28/35/49/80 TL5 EII 220-240V	1 piece/unit	TL5
88775400	HF-Pi 3/4 14/24 TL5/PL-L EII 220-240V	3/4 piece/unit	TL5/PL-L

## System characteristics

Order Code	Full Product Name	Lamp Power On TL5	Lamp		
			Power On TL5 HE	Power On TL5 HO	Rated Ballast-Lamp Power
91500930	HF-Pi 2	-	28.6/42.8	46.8/71.2	14-39 W
	14/21/24/39		W	W	
	TL5 220-240V				
91502330	HF-Pi 2	27.5/34.4/45.6/48.4	-	-	28-54 W
	28/35/49/54	W			
	TL5 220-240V				
86249200	HF-Pi 1	30.7/38.7/50.2/84	-	-	28/35/49/80
	28/35/49/80	W			W
	TL5 EII 220-240V				

Order Code	Full Product Name	Lamp Power On TL5	Lamp		
			Power On TL5 HE	Power On TL5 HO	Rated Ballast-Lamp Power
88775400	HF-Pi 3/4	-	57.5/44 W	91.5/71.3	14/24 W
	14/24 TL5/PL-			W	
	L EII 220-240V				

## HF-Performer Intelligent for TL5 HE/HO lamps

