



HF-Regulator II for TL-D lamps – Dimming: a next step in energy saving

HF-Regulator II for TL-D lamps

High-frequency electronic dimming ballast, using the analog protocol (1-10 V) for TL-D lamps

Benefits

- The lamp power can be dimmed from 1 to 100% via the Analog control input (in accordance with the 1-10 V industry standard)
- Compliant with European and Asian norms and suitable for emergency lighting systems
- HF operation improves light quality, lamp lifetime
- Combined with controls, additional energy savings can be achieved

Features

- Programmed start: flicker-free ignition < 0.5 seconds and striation-free operation, no stroboscopic effects. Preheating the lamp electrodes enables the lamps to be switched on and off without reducing life
- Smart power ensures constant light, independent of mains fluctuations.
- Up to 60% reduction in energy consumption by using automatic lighting control systems
- Stop circuit is activated within 5 seconds in the event of lamp failure (safety stop), and ballast resets automatically after lamp replacement

Application

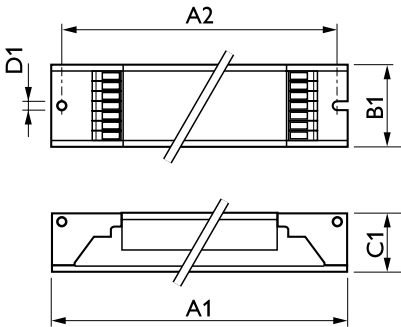
- Indoor, general and task lighting applications in combination with lighting control systems (personal control, daylight linking and/or movement detection)

HF-Regulator II for TL-D lamps

Versions



Dimensional drawing



Product

HF-R 236 TL-D EII 220-240V 50/60Hz
HF-R 418 TL-D EII 220-240V 50/60Hz
HF-R 258 TL-D EII 220-240V 50/60Hz
HF-R 136 TL-D EII 220-240V 50/60Hz

Approval and Application

Energy Efficiency Index	A1 BAT
-------------------------	--------

Operating and Electrical

Input Frequency	50 to 60 Hz
Input Voltage	220 to 240 V

General Information

Lamp Type	TL-D
-----------	------

General Information

Order Code	Full Product Name	Number Of Products On MCB (16A Type B) (Nom)	Number Of Lamps
91013430	HF-R 136 TL-D EII 220-240V 50/60Hz	28	1 piece/unit
91015830	HF-R 236 TL-D EII 220-240V 50/60Hz	12	2 piece/unit

Order Code	Full Product Name	Number Of Products On MCB (16A Type B) (Nom)	Number Of Lamps
91019630	HF-R 258 TL-D EII 220-240V 50/60Hz	12	2 piece/unit
91366130	HF-R 418 TL-D EII 220-240V 50/60Hz	12	4 piece/unit

Mechanical and Housing

HF-Regulator II for TL-D lamps

Order Code	Full Product Name	Housing
91013430	HF-R 136 TL-D EII 220-240V 50/60Hz	L 360x30x21
91015830	HF-R 236 TL-D EII 220-240V 50/60Hz	L 360x30x21

Order Code	Full Product Name	Housing
91019630	HF-R 258 TL-D EII 220-240V 50/60Hz	L 360x30x21
91366130	HF-R 418 TL-D EII 220-240V 50/60Hz	L 359x39x22

System characteristics

Order Code	Full Product Name	Rated Ballast-Lamp Power
91013430	HF-R 136 TL-D EII 220-240V 50/60Hz	36 W
91015830	HF-R 236 TL-D EII 220-240V 50/60Hz	36 W

Order Code	Full Product Name	Rated Ballast-Lamp Power
91019630	HF-R 258 TL-D EII 220-240V 50/60Hz	58 W
91366130	HF-R 418 TL-D EII 220-240V 50/60Hz	18 W

