

# Description

## Electronic transformers

A high frequency electronic transformer for operation with 12V halogen lamps. It is fully IEC compliant with unique compact size and light weight

### Benefits

- High efficiency compared with magnetic transformer
- Flexible dimming with leading and trailing edge dimmers
- Environment friendly without Hum and Noise (<30dB at 1m distance )
- Easy lumi design with compact dimension

### Features

- One universal driver which cover all market in APR (220~240V, 50/60Hz)
- Overheating protection
- Quick ignition time (<0.8s)
- 20k Hours @Tc=65°C with 90% survival
- Lead wire
- >0.95 power factor
- SELV

### Application

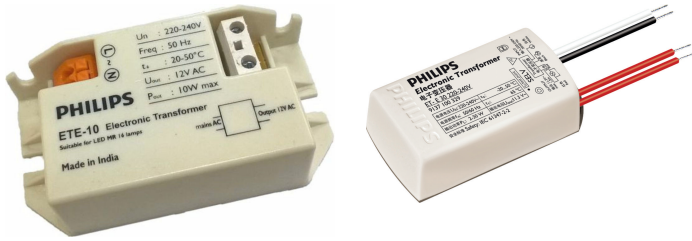
- Indoor residential: living rooms, decorative and accent lighting
- In professional areas: reception areas, offices, retail area and exhibition rooms

### Warnings and Safety

- Transformer is not suitable for DC operation

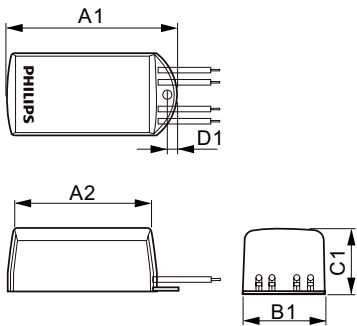
# Electronic transformers

## Versions



ET-E 10 LED

## Dimensional drawing



| Product          | D1     | C1      | A1      | B1      |       |
|------------------|--------|---------|---------|---------|-------|
| ET-E 10 220-240V | 4.4 mm | 24.5 mm | 76.0 mm | 38.0 mm |       |
| ET-E 30 220-240V | 4.4 mm | 24.5 mm | 76 mm   | 38 mm   | 72 mm |

### Operating and Electrical

|                 |              |
|-----------------|--------------|
| Input Frequency | 50 to 60 Hz  |
| Input Voltage   | 220 to 240 V |

## General Information

| Order Code | Full Product Name      | Number Of Products On MCB<br>(16A Type B) (Max) | Lamp Type |
|------------|------------------------|---|-----------|
| 72907600   | ET-E 10W LED 220V-240V | -   | -         |

| Order Code | Full Product Name | Number Of Products On MCB<br>(16A Type B) (Max) | Lamp Type |
|------------|-------------------|---|-----------|
| 17165100   | ET-E 30 220-240V  | 50  | -         |

## System characteristics

| Order Code | Full Product Name      | Rated Ballast-Lamp Power |
|------------|------------------------|--------------------------|
| 72907600   | ET-E 10W LED 220V-240V | 10 W                     |

| Order Code | Full Product Name | Rated Ballast-Lamp Power |
|------------|-------------------|--------------------------|
| 17165100   | ET-E 30 220-240V  | 30 W                     |

## Electronic transformers

