



Malaga SGS101

SGS101 SON-T50W II MR-AS SKD 42/60

MALAGA - SON-T - 50 W - Safety class II (II) - Moveable reflector with Allen screw - Digital semi-parallel MK4 - Universal for diameter 42-60 mm

Malaga is a versatile road-lighting luminaire. It offers modern styling and quality lighting for safe and comfortable driving, and for area illumination, with low investment and maintenance costs. The optical system has been designed to deliver good beam control and light output. Malaga provides optimal illuminance and good uniformity when the mounting height approximately equals the road width and the mast spacing is approximately 3.5 times the road width. It is suitable for post-top and side-entry mounting; a wall-mounting bracket is also available.

Product data

| General Information | | Product family code | |
|-------------------------|-------------------------------------|-------------------------------------|--|
| Number of light sources | 1 [1 pc] | Product family code | SGS101 [MALAGA] |
| Lamp family code | SON-T [SON-T] | Light Technical | |
| Lamp power | 50 W | Standard tilt angle post-top | 15° |
| Cap base | E27 [E27] | Standard tilt angle side entry | 15° |
| Kombipack | - | Operating and Electrical | |
| Gear | CONV [Conventional] | Input Voltage | 230 V (default) or 240 V |
| Optical cover/lens type | PC [Polycarbonate bowl/cover] | Ignitor | SKD [Digital semi-parallel MK4] |
| Light regulation | - | Mechanical and Housing | |
| Protection class IEC | Safety class II (II) | Mounting device | 42/60 [Universal for diameter 42-60 mm] |
| CE mark | CE mark | Colour | Gray |
| ENEC mark | ENEC mark | Dimensions (height x width x depth) | NaN x NaN x NaN mm (NaN x NaN x NaN in) |
| Optic type outdoor | Moveable reflector with Allen screw | | |
| Photocell | No [-] | | |

Malaga SGS101

Approval and Application

| | |
|------------------------------|--|
| Ingress protection code | IP43/65 [Wire-protected, rain/spray-proof; dust penetration-protected, jet-proof] |
| Mech. impact protection code | IK08 [5 J vandal-protected] |

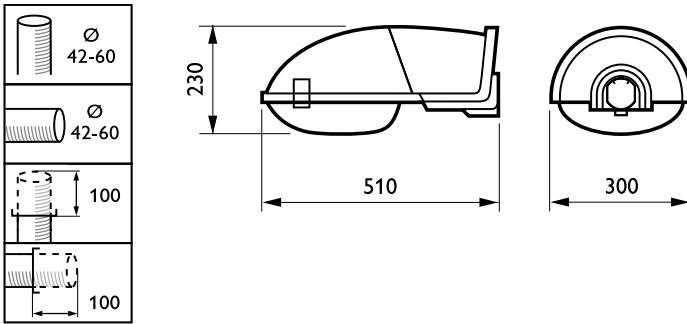
Product Data

| | |
|--------------------|------------------------------------|
| Full product code | 871155926903000 |
| Order product name | SGS101 SON-T50W II MR-AS SKD 42/60 |
| EAN/UPC – product | 8711559269030 |

| | |
|-------------------------------------|--------------|
| Order code | 26903000 |
| SAP numerator – quantity per pack | 1 |
| SAP numerator – packs per outer box | 1 |
| Material no. (12 NC) | 910925811712 |
| SAP net weight (piece) | 3.500 kg |



Dimensional drawing



SGS101

