



Malaga SGS101

SGS101 SON-TTP50W K 240V II MR SKD P1

MALAGA - SON-T PIA Plus - 50 W - Lamp(s) included - 240 V - Safety class II (II) - Moveable reflector - Digital semi-parallel MK4 - NEMA socket for photocell

Malaga is a versatile road-lighting luminaire. It offers modern styling and quality lighting for safe and comfortable driving, and for area illumination, with low investment and maintenance costs. The optical system has been designed to deliver good beam control and light output. Malaga provides optimal illuminance and good uniformity when the mounting height approximately equals the road width and the mast spacing is approximately 3.5 times the road width. It is suitable for post-top and side-entry mounting; a wall-mounting bracket is also available.

Product data

| General Information | | Product family code | |
|-------------------------|---------------------------------|-------------------------------------|---|
| Number of light sources | 1 [1 pc] | SGS101 [MALAGA] | |
| Lamp family code | SON-TTP [SON-T PIA Plus] | Light Technical | |
| Lamp power | 50 W | Standard tilt angle post-top | 15° |
| Cap base | E27 [E27] | Standard tilt angle side entry | 15° |
| Kombipack | Lamp(s) included | Operating and Electrical | |
| Gear | CONV [Conventional] | Input Voltage | 240 V |
| Optical cover/lens type | PC [Polycarbonate bowl/cover] | Ignitor | SKD [Digital semi-parallel MK4] |
| Light regulation | - | Mechanical and Housing | |
| Protection class IEC | Safety class II (II) | Mounting device | No [-] |
| CE mark | CE mark | Colour | Gray |
| ENEC mark | ENEC mark | Dimensions (height x width x depth) | NaN x NaN x NaN mm (NaN x NaN x NaN in) |
| Optic type outdoor | Moveable reflector | | |
| Photocell | P1 [NEMA socket for photocell] | | |

Malaga SGS101

Approval and Application

| | |
|------------------------------|--|
| Ingress protection code | IP43/65 [Wire-protected, rain/spray-proof; dust penetration-protected, jet-proof] |
| Mech. impact protection code | IK08 [5 J vandal-protected] |

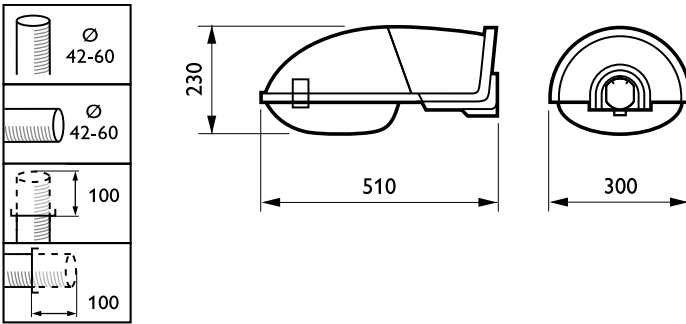
Product Data

| | |
|--------------------|---------------------------------------|
| Full product code | 871155972105700 |
| Order product name | SGS101 SON-TPP50W K 240V II MR SKD P1 |
| EAN/UPC – product | 8711559721057 |

| | |
|-------------------------------------|--------------|
| Order code | 72105700 |
| Numerator – quantity per pack | 1 |
| SAP numerator – packs per outer box | 1 |
| Material no. (12 NC) | 910925811912 |
| Net Weight (Piece) | 3.700 kg |



Dimensional drawing



SGS101

