



# Malaga SGS101

## SGS101 SON-T70W II MR-AS SKD 42/60

MALAGA - SON-T - 70 W - Safety class II (II) - Moveable reflector with Allen screw - Digital semi-parallel MK4 - Universal for diameter 42-60 mm

Malaga is a versatile road-lighting luminaire. It offers modern styling and quality lighting for safe and comfortable driving, and for area illumination, with low investment and maintenance costs. The optical system has been designed to deliver good beam control and light output. Malaga provides optimal illuminance and good uniformity when the mounting height approximately equals the road width and the mast spacing is approximately 3.5 times the road width. It is suitable for post-top and side-entry mounting; a wall-mounting bracket is also available.

### Product data

General Information		Product family code	
Number of light sources	1 [ 1 pc]	SGS101 [ MALAGA]	
Lamp family code	SON-T [ SON-T]	Light Technical	
Lamp power	70 W	Standard tilt angle post-top	15°
Cap base	E27 [ E27]	Standard tilt angle side entry	15°
Kombipack	-	Operating and Electrical	
Gear	CONV [ Conventional]	Input Voltage	230 V (default) or 240 V
Optical cover/lens type	PC [ Polycarbonate bowl/cover]	Ignitor	SKD [ Digital semi-parallel MK4]
Light regulation	-	Mechanical and Housing	
Protection class IEC	Safety class II (II)	Mounting device	42/60 [ Universal for diameter 42-60 mm]
CE mark	CE mark	Colour	Gray
ENEC mark	ENEC mark	Dimensions (height x width x depth)	NaN x NaN x NaN mm (NaN x NaN x NaN in)
Optic type outdoor	Moveable reflector with Allen screw		
Photocell	No [ -]		

# Malaga SGS101

## Approval and Application

Ingress protection code	IP43/65 [ Wire-protected, rain/spray-proof; dust penetration-protected, jet-proof]
Mech. impact protection code	IK08 [ 5 J vandal-protected]

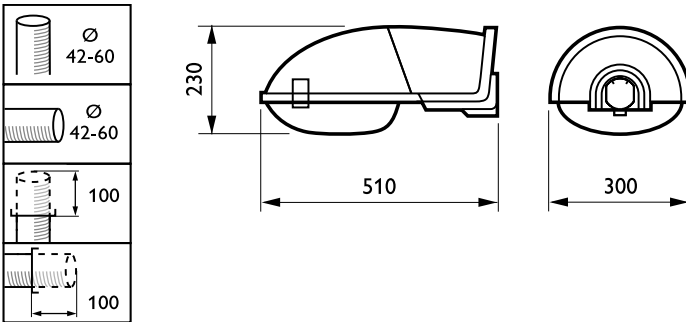
## Product Data

Full product code	872790063459400
Order product name	SGS101 SON-T70W II MR-AS SKD 42/60
EAN/UPC – product	8727900634594

Order code	63459400
SAP numerator – quantity per pack	1
SAP numerator – packs per outer box	1
Material no. (12 NC)	910925812412
SAP net weight (piece)	3.400 kg



## Dimensional drawing



SGS101

