



CoreLine Trunking

LL121X LED76S/830 1x PSU VWB 7 EL3 WH

CoreLine Trunking - 3 pcs - LED Module, system flux 7600 lm - Power supply unit - Very wide beam - - - 7 conductors - Emergency lighting 3 hours duration - Feed-through wiring 7-phase - Ceiling-mounting bracket - White - - - -

Whether for a new facility or renovation of an existing space, customers want lighting solutions that provide quality of light and substantial energy and maintenance savings. The new CoreLine Trunking range of LED products can be used to replace general lighting. The process of selecting, installing and maintaining is so easy – it's a simple switch.

Product data

General Information		Connection	
Number of light sources	3 [3 pcs]	Connection	C-2A [Connector with 2 additional wires for addressable emergency lighting]
Lamp family code	LED76S [LED Module, system flux 7600 lm]	Cable	-
Beam angle of light source	120 °	Protection class IEC	Safety class I (I)
Light source colour	830 warm white	Mounting	SMB [Ceiling-mounting bracket]
Light source replaceable	No	Ready-to-install	-
Number of gear units	1 unit	Glow-wire test	850/5 [Temperature 850 °C, duration 5 s]
Driver/power unit/transformer	PSU [Power supply unit]	Flammability mark	F [For mounting on normally flammable surfaces]
Driver included	Yes	Accessories included	MB-SW [Mounting bracket for suspension wire]
Optic type	VWB [Very wide beam]	CE mark	CE mark
Optical cover/lens type	No [-]	ENEC mark	ENEC mark
Luminaire light beam spread	140° x 94°	Mechanical accessories	No [-]
Emergency lighting	EL3 [Emergency lighting 3 hours duration]	Remarks	*- According to the Lighting Europe guidance paper 'Evaluating performance of LED based
Control interface	-		
Internal wiring	Standard		
Feed-through wiring	Feed-through wiring 7-phase		

CoreLine Trunking

	luminaires – January 2018*: statistically there is no relevant difference in lumen maintenance between the B50 and, for example, the B10. Therefore, the median useful life (B50) value also represents the B10 value.
Constant light output	No
Number of products on MCB (16 A type B)	24
EU RoHS compliant	Yes
Product family code	LL121X [CoreLine Trunking]
Unified glare rating CEN	Not applicable

Light Technical

Light distribution	DIR [Direct lighting]
--------------------	------------------------

Operating and Electrical

Input Voltage	220 to 240 V
Input frequency	50 to 60 Hz
Control signal voltage	0-16 V DC DALI
Circuit	No [-]
Circuit option	7 [7 conductors]
Initial CLO power consumption	- W
Average CLO power consumption	- W
Inrush current	19 A
Inrush time	0.28 ms
Power factor (min.)	0.97

Controls and Dimming

Dimmable	No
----------	----

Mechanical and Housing

Housing material	Steel
Reflector material	-
Optic material	Acrylate
Optical cover/lens material	Acrylate
Fixation material	Steel
Optical cover/lens finish	Frosted
Overall length	1730 mm
Overall width	95 mm
Overall height	52 mm
Height	52 mm
Diameter	-

Colour	White
Dimensions (height x width x depth)	52 x 95 x 1730 mm (2 x 3.7 x 68.1 in)

Approval and Application

Ingress protection code	IP20 [Finger-protected]
Mech. impact protection code	IK02 [0.2 J standard]

Initial Performance (IEC Compliant)

Initial luminous flux	7600 lm
Luminous flux tolerance	+/-1%
Initial LED luminaire efficacy	136 lm/W
Init. Corr. Colour Temperature	3000 K
Init. Colour rendering index	≥80
Initial chromaticity	(0.38, 0.38) SDCM <3
Initial input power	56 W
Power consumption tolerance	+/-10%

Over Time Performance (IEC Compliant)

Control gear failure rate at median useful life 50,000 h	5 %
Lumen maintenance at median useful life* 50,000 h	L80

Application Conditions

Ambient temperature range	-20 to +35 °C
Performance ambient temperature Tq	25 °C
Maximum dimming level	Not applicable
Suitable for random switching	No

Product Data

Full product code	871869638162500
Order product name	LL121X LED76S/830 1x PSU VWB 7 EL3 WH
EAN/UPC – product	8718696381625
Order code	38162500
Numerator – quantity per pack	1
Numerator – packs per outer box	1
SAP material	910925864042
SAP net weight (piece)	4.360 kg

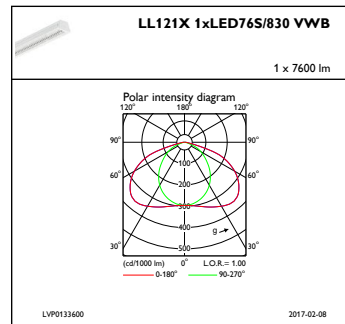
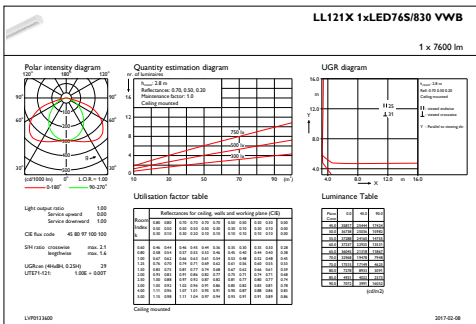


Dimensional drawing

//

CoreLine electr. units LL120X-LL122X

Photometric data



IFGU1_LL121X1xLED76S830VWB

IFPC1_LL121X1xLED76S830VWB

