



CoreLine Trunking

LL121X LED80S/840 1x PSU NB 7 EL3 WH

CoreLine Trunking - 3 pcs - LED Module, system flux 8000 lm -
 Power supply unit - Narrow beam - - - 7 conductors -
 Emergency lighting 3 hours duration - Feed-through wiring 7-
 phase - Ceiling-mounting bracket - White - - - -

Whether for a new facility or renovation of an existing space, customers want lighting solutions that provide quality of light and substantial energy and maintenance savings. The new CoreLine Trunking range of LED products can be used to replace general lighting. The process of selecting, installing and maintaining is so easy – it's a simple switch.

Product data

General Information		Connection	
Number of light sources	3 [3 pcs]	Cable	C-2A [Connector with 2 additional wires for addressable emergency lighting]
Lamp family code	LED80S [LED Module, system flux 8000 lm]	Protection class IEC	-
Beam angle of light source	120 °	Mounting	Safety class I (I)
Light source colour	840 neutral white	Ready-to-install	SMB [Ceiling-mounting bracket]
Light source replaceable	No	Glow-wire test	-
Number of gear units	1 unit	Flammability mark	850/5 [Temperature 850 °C, duration 5 s]
Driver/power unit/transformer	PSU [Power supply unit]	Accessories included	F [For mounting on normally flammable surfaces]
Driver included	Yes	CE mark	MB-SW [Mounting bracket for suspension wire]
Optic type	NB [Narrow beam]	ENEC mark	CE mark
Optical cover/lens type	No [-]	Mechanical accessories	ENEC mark
Luminaire light beam spread	48° x 66°	Remarks	No [-]
Emergency lighting	EL3 [Emergency lighting 3 hours duration]		*- According to the Lighting Europe guidance paper 'Evaluating performance of LED based
Control interface	-		
Internal wiring	Standard		
Feed-through wiring	Feed-through wiring 7-phase		

CoreLine Trunking

	luminaires – January 2018*: statistically there is no relevant difference in lumen maintenance between the B50 and, for example, the B10. Therefore, the median useful life (B50) value also represents the B10 value.
Constant light output	No
Number of products on MCB (16 A type B)	24
EU RoHS compliant	Yes
Product family code	LL121X [CoreLine Trunking]
Unified glare rating CEN	Not applicable

Light Technical

Light distribution	DIR [Direct lighting]
--------------------	------------------------

Operating and Electrical

Input Voltage	220 to 240 V
Input frequency	50 to 60 Hz
Control signal voltage	0-16 V DC DALI
Circuit	No [-]
Circuit option	7 [7 conductors]
Initial CLO power consumption	- W
Average CLO power consumption	- W
Inrush current	19 A
Inrush time	0.28 ms
Power factor (min.)	0.97

Controls and Dimming

Dimmable	No
----------	----

Mechanical and Housing

Housing material	Steel
Reflector material	-
Optic material	Acrylate
Optical cover/lens material	Acrylate
Fixation material	Steel
Optical cover/lens finish	Clear
Overall length	1730 mm
Overall width	95 mm
Overall height	52 mm
Height	52 mm
Diameter	-

Colour	White
Dimensions (height x width x depth)	52 x 95 x 1730 mm (2 x 3.7 x 68.1 in)

Approval and Application

Ingress protection code	IP20 [Finger-protected]
Mech. impact protection code	IK02 [0.2 J standard]

Initial Performance (IEC Compliant)

Initial luminous flux	8000 lm
Luminous flux tolerance	+/-1%
Initial LED luminaire efficacy	143 lm/W
Init. Corr. Colour Temperature	4000 K
Init. Colour rendering index	≥80
Initial chromaticity	(0.38, 0.38) SDCM <3
Initial input power	56 W
Power consumption tolerance	+/-10%

Over Time Performance (IEC Compliant)

Control gear failure rate at median useful life 50,000 h	5 %
Lumen maintenance at median useful life* 50,000 h	L80

Application Conditions

Ambient temperature range	-20 to +35 °C
Performance ambient temperature Tq	25 °C
Maximum dimming level	Not applicable
Suitable for random switching	No

Product Data

Full product code	871869638167000
Order product name	LL121X LED80S/840 1x PSU NB 7 EL3 WH
EAN/UPC – product	8718696381670
Order code	38167000
Numerator – quantity per pack	1
Numerator – packs per outer box	1
SAP material	910925864047
SAP net weight (piece)	4.360 kg



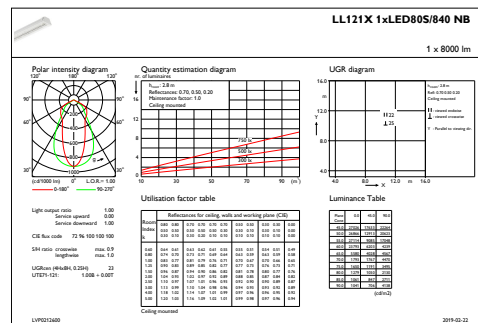
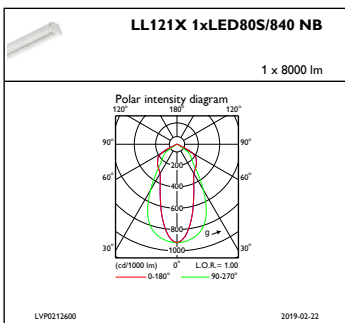
CoreLine Trunking

Dimensional drawing

//

CoreLine electr. units LL120X-LL122X

Photometric data



IFPC1_LL121X1xLED80S840NB

IFGU1_LL121X1xLED80S840NB

