



GreenPerform Highbay G3

BY698X LED300/NW PIR NB L3000 EN

840 neutral white - Power supply unit regulating - Narrow beam

Following the successful introduction of the GreenPerform Highbay G2 in 2013, while continue providing the superior light quality, long service lifetime, reduced energy consumption and less maintenance in the switch on-off (PSU) and Dali dimmable (PSD) versions, the new generation Highbay seamlessly integrates state-of-the-art LED lighting with an easy-to-use and reliable wireless ZIGBEE control solution (ACW) and simple movement detection solution (PIR). ;In the ACW version products, when the situation on the work floor changes, settings such as dimming levels and timing can be changed wirelessly by the end-users themselves. Luminaires can be combined in groups across the layout, and re-zoning them does not require a hardware change, thus minimising commissioning costs. The system delivers savings over and above the actual efficiency of the LEDs and is future-proof.;In the PIR version products, when there has no movement detected after 15 minutes, the lighting will dimming down to 25% of the lumen output, which helps to maximum your energy saving in a simple way. ;Easy to understand, easy to design-in, and easy to use, GreenPerform Highbay G3 is a smart way to light up your business.

Product data

| General Information | | | |
|-------------------------------|-------------------------------------|-----------------------------|---|
| Light source colour | 840 neutral white | Optical cover/lens type | PC [Polycarbonate bowl/cover] |
| Light source replaceable | No | Luminaire light beam spread | 60° |
| Number of gear units | 2 units | Control interface | - |
| Driver/power unit/transformer | PSR [Power supply unit regulating] | Connection | Flying leads/wires |
| Driver included | Yes | Cable | Cable 3.0 m without plug (C3K) |
| Optic type | NB [Narrow beam] | Protection class IEC | Safety class I (I) |
| | | Glow-wire test | 650/5 [Temperature 650 °C, duration 5 s] |

GreenPerform Highbay G3

| | |
|---|--|
| Flammability mark | F [For mounting on normally flammable surfaces] |
| CE mark | CE mark |
| Warranty period | 3 years |
| Constant light output | No |
| Number of products on MCB (16 A type B) | 11 |
| Light source engine type | LED |

Operating and Electrical

| | |
|---------------------|--------------|
| Input Voltage | 220 to 240 V |
| Input frequency | 50 to 60 Hz |
| Inrush current | 92 A |
| Inrush time | 0.44 ms |
| Power factor (min.) | 0.95 |

Controls and Dimming

| | |
|----------|-----|
| Dimmable | Yes |
|----------|-----|

Mechanical and Housing

| | |
|-----------------------------|-------------------|
| Housing material | Aluminum die-cast |
| Optic material | Polycarbonate |
| Optical cover/lens material | Polycarbonate |
| Optical cover/lens finish | Clear |
| Overall height | 120 mm |
| Overall diameter | 530 mm |
| Colour | Dark gray |

Approval and Application

| | |
|------------------------------|---|
| Ingress protection code | IP65 [Dust penetration-protected, jet-proof] |
| Mech. impact protection code | IK07 [2 J reinforced] |

Initial Performance (IEC Compliant)

| | |
|--------------------------------|-------------------|
| Initial luminous flux | 29000 lm |
| Luminous flux tolerance | +/-10% |
| Initial LED luminaire efficacy | 129 lm/W |
| Init. Corr. Colour Temperature | 4000 K |
| Init. Colour rendering index | >80 |
| Initial chromaticity | (0.38.0.38)SDCM<5 |
| Initial input power | 225 W |
| Power consumption tolerance | +/-10% |

Over Time Performance (IEC Compliant)

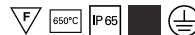
| | |
|---------------------------|---------|
| Median useful life L70B50 | 50000 h |
| Median useful life L80B50 | 40000 h |
| Median useful life L90B50 | 30000 h |

Application Conditions

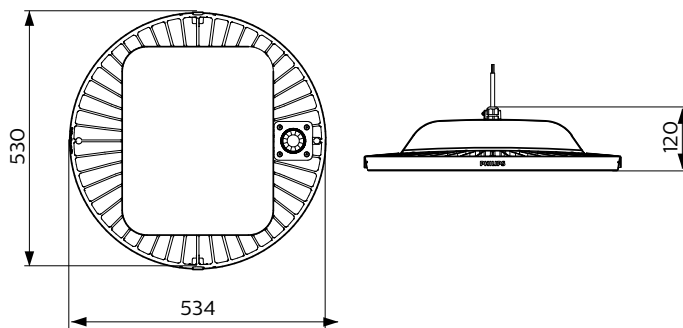
| | |
|-------------------------------|---------------|
| Ambient temperature range | -30 to +50 °C |
| Suitable for random switching | Yes |

Product Data

| | |
|---------------------------------|----------------------------------|
| Full product code | 911401866299 |
| Order product name | BY698X LED300/NW PIR NB L3000 EN |
| Order code | 01866299 |
| Numerator – quantity per pack | 1 |
| Numerator – packs per outer box | 1 |
| SAP material | 911401866299 |
| SAP net weight (piece) | 7.899 kg |



Dimensional drawing



BY698P GreenPerform High-bay gen3

GreenPerform Highbay G3

