



# Quebec LED

## BRP775 LED59-4S/740 PSU II DS50 O BK

QUEBEC LED - LED module 5900 lm - 4th generation, screw fixation - 740 neutral white - Power supply unit - Safety class II (II) - Distribution symmetrical 50 - PMMA bowl/cover - Black - Philips standard surge protection level kV - - - 25 °C - Spigot for diameter 60 mm

Quebec LED is a stylish luminaire designed to brighten up residential streets and pathways, precincts, parks and other urban spaces. It incorporates an energy-efficient LED engine with high-performance optics, while at the same time retaining the character of the original Quebec fixture. It also offers a choice of bowl versions and mounting options. All these factors together make Quebec LED a versatile solution that can meet the needs of any project.

### Product data

General Information			
Number of light sources	30 [ 30 pcs]	Cable	-
Lamp family code	LED59 [ LED module 5900 lm]	Protection class IEC	Safety class II (II)
Lamp version	4S [ 4th generation, screw fixation]	Flammability mark	NO [ -]
Light source colour	740 neutral white	CE mark	CE mark
Light source replaceable	Yes	ENEC mark	ENEC mark
Number of gear units	1 unit	Warranty period	5 years
Driver/power unit/transformer	PSU [ Power supply unit]	Optic type outdoor	Distribution symmetrical 50
Driver included	Yes	Remarks	* - According to the Lighting Europe guidance paper 'Evaluating performance of LED based luminaires - January 2018': statistically there is no relevant difference in lumen maintenance between the B50 and, for example, the B10. Therefore, the median useful life (B50) value also represents the B10 value. * At extreme
Optical cover/lens type	PM [ PMMA bowl/cover]		
Luminaire light beam spread	152° x 155°		
Connection	W [ Plug-in connector 3-pole Wieland/Adels compatible]		

## Quebec LED

	ambient temperatures the luminaire might automatically dim down to protect components
Constant light output	No
Number of products on MCB (16 A type B)	10
EU RoHS compliant	Yes
LED engine type	LED
Serviceability class	Class A, the luminaire is equipped with serviceable parts (when applicable): LED board, driver, control units, surge-protection device, optics, front cover and mechanical parts
Product family code	BRP775 [ QUEBEC LED]

### Light Technical

Upward light output ratio	0.03
Standard tilt angle post-top	5°
Standard tilt angle side entry	-

### Operating and Electrical

Input Voltage	220 to 240 V
Input frequency	50 to 60 Hz
Inrush current	43 A
Inrush time	0.26 ms
Power factor (min.)	0.97
Power factor (nom.)	0.92

### Controls and Dimming

Dimmable	No
----------	----

### Mechanical and Housing

Housing material	Aluminum
Reflector material	-
Optic material	Polymethyl methacrylate
Optical cover/lens material	Polymethyl methacrylate
Fixation material	Aluminium
Mounting device	60 [ Spigot for diameter 60 mm]
Optical cover/lens shape	Hemispherical
Optical cover/lens finish	Opal
Overall height	388 mm
Overall diameter	478 mm
Effective projected area	0.1 m <sup>2</sup>

Colour	Black
Dimensions (height x width x depth)	388 x NaN x NaN mm (15.3 x NaN x NaN in)

### Approval and Application

Ingress protection code	IP65 [ Dust penetration-protected, jet-proof]
Mech. impact protection code	IK08 [ 5 J vandal-protected]
Surge protection (common/differential)	Philips standard surge protection level kV

### Initial Performance (IEC Compliant)

Initial luminous flux (system flux)	5040 lm
Luminous flux tolerance	+/-7%
Initial LED luminaire efficacy	142 lm/W
Init. Corr. Colour Temperature	4000 K
Init. Colour rendering index	>70
Initial chromaticity	(0.381, 0.379) SDCM <5
Initial input power	35.5 W
Power consumption tolerance	+/-11%

### Over Time Performance (IEC Compliant)

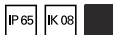
Control gear failure rate at median useful life 100,000 h	10 %
Lumen maintenance at median useful life* 100,000 h	L97

### Application Conditions

Ambient temperature range	-40 to +50 °C
Performance ambient temperature Tq	25 °C

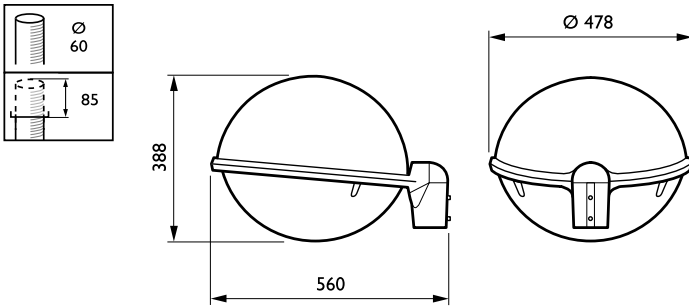
### Product Data

Full product code	871869908984900
Order product name	BRP775 LED59-4S/740 PSU II DS50 O BK
EAN/UPC – product	8718699089849
Order code	08984900
Numerator – quantity per pack	1
SAP numerator – packs per outer box	1
Material no. (12 NC)	912300023474
Net Weight (Piece)	6.175 kg



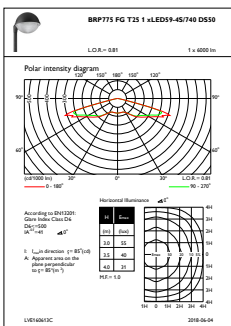
# Quebec LED

## Dimensional drawing

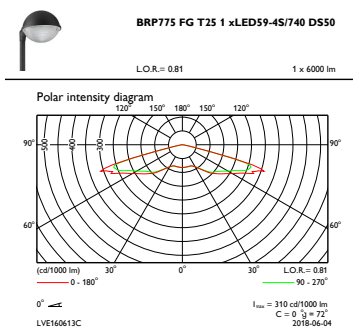


Quebec LED BRP775/776

## Photometric data



OFPL1\_BRP775FGT251xLED59-4S740DS50



OFPC1\_BRP775FGT251xLED59-4S740DS50

