



Quebec LED

BRP776 LED39-4S/740 PSU II DS50 O WH S

QUEBEC LED - LED module 3900 lm - 4th generation, screw fixation - 740 neutral white - Power supply unit - Safety class II (II) - Distribution symmetrical 50 - PMMA bowl/cover - White - Philips standard surge protection level kV - - - 25 °C - -

Quebec LED is a stylish luminaire designed to brighten up residential streets and pathways, precincts, parks and other urban spaces. It incorporates an energy-efficient LED engine with high-performance optics, while at the same time retaining the character of the original Quebec fixture. It also offers a choice of bowl versions and mounting options. All these factors together make Quebec LED a versatile solution that can meet the needs of any project.

Product data

General Information		CE mark	CE mark
Lamp family code	LED39 [LED module 3900 lm]	ENEC mark	ENEC mark
Lamp version	4S [4th generation, screw fixation]	Warranty period	5 years
Light source colour	740 neutral white	Optic type outdoor	Distribution symmetrical 50
Light source replaceable	Yes	Remarks	* - According to the Lighting Europe guidance paper 'Evaluating performance of LED based luminaires – January 2018': statistically there is no relevant difference in lumen maintenance between the B50 and, for example, the B10. Therefore, the median useful life (B50) value also represents the B10 value. * At extreme ambient temperatures the luminaire might automatically dim down to protect components
Number of gear units	1 unit	Constant light output	No
Driver/power unit/transformer	PSU [Power supply unit]		
Driver included	Yes		
Optical cover/lens type	PM [PMMA bowl/cover]		
Luminaire light beam spread	152° x 155°		
Connection	W [Plug-in connector 3-pole Wieland/Adels compatible]		
Cable	-		
Protection class IEC	Safety class II (II)		
Flammability mark	NO [-]		

Quebec LED

Number of products on MCB (16 A type B)	20
EU RoHS compliant	Yes
LED engine type	LED
Serviceability class	Class A, the luminaire is equipped with serviceable parts (when applicable): LED board, driver, control units, surge-protection device, optics, front cover and mechanical parts
Product family code	BRP776 [QUEBEC LED]

Light Technical

Upward light output ratio	0.03
Standard tilt angle post-top	-
Standard tilt angle side entry	0°

Operating and Electrical

Input Voltage	220 to 240 V
Input frequency	50 to 60 Hz
Inrush current	22 A
Inrush time	0.29 ms
Power factor (min.)	0.97
Power factor (nom.)	0.92

Controls and Dimming

Dimmable	No
----------	----

Mechanical and Housing

Housing material	Aluminum
Reflector material	-
Optic material	Polymethyl methacrylate
Optical cover/lens material	Polymethyl methacrylate
Fixation material	Aluminium
Mounting device	No [-]
Optical cover/lens shape	Hemispherical
Optical cover/lens finish	Opal
Overall height	388 mm
Overall diameter	472 mm
Effective projected area	0.094 m ²
Colour	White

Dimensions (height x width x depth)	388 x NaN x NaN mm (15.3 x NaN x NaN in)
-------------------------------------	--

Approval and Application

Ingress protection code	IP65 [Dust penetration-protected, jet-proof]
Mech. impact protection code	IK08 [5 J vandal-protected]
Surge protection (common/differential)	Philips standard surge protection level kV

Initial Performance (IEC Compliant)

Initial luminous flux (system flux)	3276 lm
Luminous flux tolerance	+/-7%
Initial LED luminaire efficacy	134 lm/W
Init. Corr. Colour Temperature	4000 K
Init. colour rendering index	>70
Initial chromaticity	(0.381, 0.379) SDCM <5
Initial input power	24.5 W
Power consumption tolerance	+/-11%

Over Time Performance (IEC Compliant)

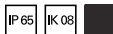
Control gear failure rate at median useful life 100,000 h	10 %
Lumen maintenance at median useful life* 100,000 h	94

Application Conditions

Ambient temperature range	-40 to +50 °C
Performance ambient temperature Tq	25 °C

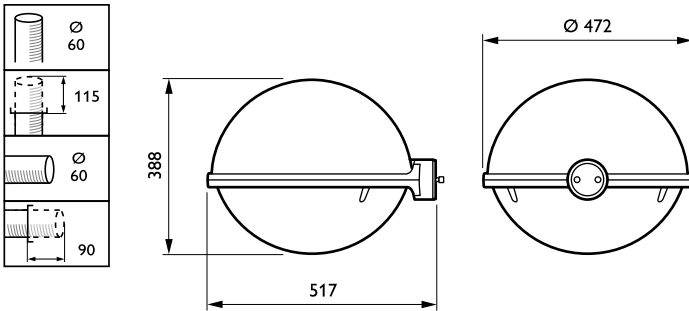
Product Data

Full product code	871869908987000
Order product name	BRP776 LED39-4S/740 PSU II DS50 O WH S
EAN/UPC – product	8718699089870
Order code	08987000
SAP numerator – quantity per pack	1
SAP numerator – packs per outer box	1
Material no. (12 NC)	912300023477
SAP net weight (piece)	6.175 kg



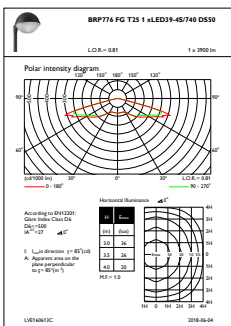
Quebec LED

Dimensional drawing

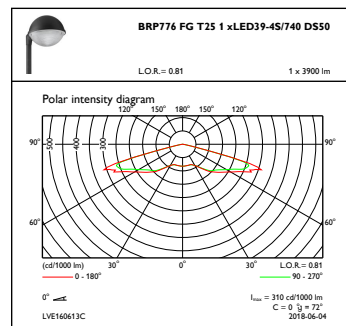


Quebec LED BRP775/776

Photometric data



OFPL1_BRP776FGT251xLED39-4S740DS50



OFPC1_BRP776FGT251xLED39-4S740DS50

