



ClassicStreet

BDP794 LED63-4S/740 II DW10 MK-WH BK CLO

ClassicStreet Top - LED module 6300 lm - 740 neutral white - Power supply unit regulating external with constant light output - Safety class II (II) - Distribution wide 10 - Flat glass - Black - Constant light output and DynaDimmer fixed presets version 2 - Surge protection level until 10 kV - External connector - Cable 1.0 m with plug Wieland/Adels compatible 2-pole - Post-top for diameter 60 mm

Recalling the iconic beauty of 20th-century street lanterns, ClassicStreet combines elegant design with the subtle details of heritage luminaires while meeting today's urban lighting requirements. Though echoing the past, the ClassicStreet luminaire is very much shaped for the future. Its gently curved design, together with dedicated brackets and poles, creates a contemporary look that beautifies our cities and creates distinctive and warm night- and daytime ambiances. Not only in historical and traditional architectural settings, but also in more modern urban environments too. Designed around its LED engine, ClassicStreet delivers outstanding levels of lighting and energy performance.

Product data

| General Information | | Driver/power unit/transformer | Power supply unit regulating external with constant light output |
|--------------------------|--------------------------------------|-------------------------------|--------------------------------------------------------------------------|
| Number of light sources | 20 [20 pcs] | Driver included | Yes |
| Lamp family code | LED63 [LED module 6300 lm] | Optical cover/lens type | FG [Flat glass] |
| Lamp version | 4S [4th generation, screw fixation] | Luminaire light beam spread | 52° - 7° x 151° |
| Light source colour | 740 neutral white | Embedded control | CLO-DDF2 [Constant light output and DynaDimmer fixed presets version 2] |
| Light source replaceable | Yes | Connection | CE [External connector] |
| Number of gear units | 1 unit | | |

| | |
|------------------------------------------------|-------------------------------------------------------------------------------------------------------------------------------------------------------------------------------------------------------------------------------------------------------------------------------------------------------------------------------------------------------------------------------------------------------------------|
| Cable | Cable 1.0 m with plug Wieland/Adels compatible 2-pole |
| Protection class IEC | Safety class II (II) |
| Flammability mark | NO [-] |
| CE mark | CE mark |
| ENEC mark | ENEC mark |
| Warranty period | 5 years |
| Optic type outdoor | Distribution wide 10 |
| Remarks | *- According to the Lighting Europe guidance paper 'Evaluating performance of LED based luminaires – January 2018': statistically there is no relevant difference in lumen maintenance between the B50 and, for example, the B10. Therefore, the median useful life (B50) value also represents the B10 value. * At extreme ambient temperatures the luminaire might automatically dim down to protect components |
| Constant light output | Yes |
| Number of products on MCB (16 A type B) | 26 |
| EU RoHS compliant | Yes |
| LED engine type | LED |
| Serviceability class | Class B, the luminaire is equipped with some serviceable parts (when applicable): driver, control units, surge-protection device, front cover and mechanical parts |
| Product family code | BDP794 [ClassicStreet Top] |

Light Technical

| | |
|---------------------------------------|------|
| Upward light output ratio | 0.03 |
| Standard tilt angle post-top | 0° |
| Standard tilt angle side entry | - |

Operating and Electrical

| | |
|--------------------------------------|-------------|
| Input Voltage | 220-240 V |
| Input frequency | 50 to 60 Hz |
| Initial CLO power consumption | 38.5 W |
| Average CLO power consumption | 39 W |
| End CLO power consumption | 39.5 W |
| Inrush current | 21 A |
| Inrush time | 0.225 ms |
| Power factor (min.) | 0.98 |

Controls and Dimming

| | |
|-----------------|----|
| Dimmable | No |
|-----------------|----|

Mechanical and Housing

| | |
|------------------------------------|-------------------------|
| Housing material | Aluminum |
| Reflector material | - |
| Optic material | Polymethyl methacrylate |
| Optical cover/lens material | Tempered glass |

| | |
|--------------------------------------------|--------------------------------------------|
| Fixation material | Aluminium |
| Mounting device | 60P [Post-top for diameter 60 mm] |
| Optical cover/lens shape | Flat |
| Optical cover/lens finish | Clear |
| Overall length | 428 mm |
| Overall width | 428 mm |
| Overall height | 586 mm |
| Effective projected area | 0.15 m² |
| Colour | Black |
| Dimensions (height x width x depth) | 586 x 428 x 428 mm (23.1 x 16.9 x 16.9 in) |

Approval and Application

| | |
|-----------------------------------------------|-----------------------------------------------|
| Ingress protection code | IP66 [Dust penetration-protected, jet-proof] |
| Mech. impact protection code | IK09 [10 J] |
| Surge protection (common/differential) | Surge protection level until 10 kV |

Initial Performance (IEC Compliant)

| | |
|--------------------------------------------|------------------------|
| Initial luminous flux (system flux) | 4320 lm |
| Luminous flux tolerance | +/-7% |
| Initial LED luminaire efficacy | 112 lm/W |
| Init. Corr. Colour Temperature | 4000 K |
| Init. Colour rendering index | 70 |
| Initial chromaticity | (0.380, 0.380) SDCM <5 |
| Initial input power | 38.5 W |
| Power consumption tolerance | +/-11% |

Over Time Performance (IEC Compliant)

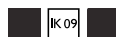
| | |
|------------------------------------------------------------------|------|
| Control gear failure rate at median useful life 100,000 h | 10 % |
| Lumen maintenance at median useful life* 100,000 h | L100 |

Application Conditions

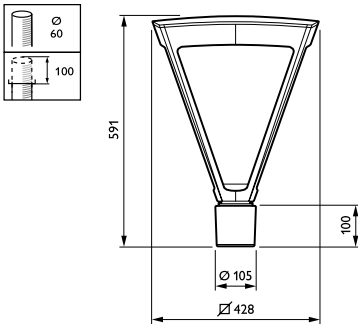
| | |
|-------------------------------------------|---------------|
| Ambient temperature range | -40 to +50 °C |
| Performance ambient temperature Tq | 25 °C |

Product Data

| | |
|--------------------------------------------|------------------------------------------|
| Full product code | 871869911690300 |
| Order product name | BDP794 LED63-4S/740 II DW10 MK-WH BK CLO |
| EAN/UPC – product | 8718699116903 |
| Order code | 11690300 |
| Numerator – quantity per pack | 1 |
| SAP numerator – packs per outer box | 1 |
| Material no. (12 NC) | 912300023860 |
| Net Weight (Piece) | 10.000 kg |

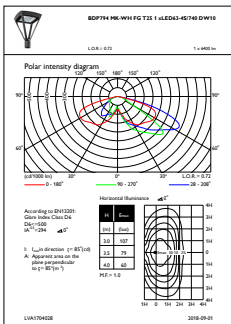


Dimensional drawing

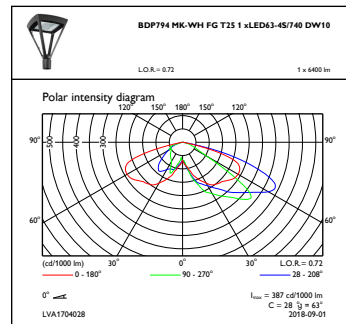


ClassicStreet BDP/BPP/BSP/BVP794

Photometric data



OFPL1_BDP794MK-WHFGT251xLED63-4S740DW10



OFPC1_BDP794MK-WHFGT251xLED63-4S740DW10

