

# HF-Regulator II for PL-T/C

## HF-R 2 26-42 PL-T/C EII 220-240V 50/60Hz

Compact, high-frequency electronic dimming ballast, using the analog protocol (1-10 V) for PL-T, PL-C and PL-R lamps

### Product data

General Information		Constant wattage deviation	
Application code	EII	Constant wattage deviation	-2%/+2%
Type version	mk3	Ballast factor (nom.)	0.99
Lamp type	PL-T/C	Power losses (nom.)	6.5-7.5 W
Number of lamps	2 piece/unit	Inrush current peak (max.)	45 A
Number of products on MCB (16 A type B) (nom.)	12	<b>Wiring</b>	
Automatic restart	Yes	Connector type input terminals	Insert
<b>Operating and Electrical</b>		Cable capacity output wires mutual (nom.)	30 pF
Input Voltage	220 to 240 V	Connector type output terminals	Insert
Input frequency	50 to 60 Hz	Connector type control input terminals	Insert
Operating frequency (max.)	100 kHz	Wire strip length	7.5-8.5 mm
Operating frequency (min.)	40 kHz	Dual fixture master/slave	Not advisable [ Master/Slave operation not advised]
Ignition method	Programmed Start	Control input terminal cross section	0.50-1.50 mm <sup>2</sup>
Crest factor (max.)	1.7	Input terminal cross section	0.50-1.50 mm <sup>2</sup>
Power factor 100% load (nom.)	0.95	Output terminal cross section	0.50-1.50 mm <sup>2</sup>
Ignition time (max.)	1.5 s	Cable capacity output wires to earth (nom.)	75 pF
Mains voltage performance (AC)	-8%+6%	<b>System characteristics</b>	
Mains voltage safety (AC)	-10%+10%	Rated ballast-lamp power	26-42 W
Earth leakage current (max.)	0.5 mA		
Inrush current width	0.35 ms		

# HF-Regulator II for PL-T/C

Temperature	
T-ambient (max.)	50 °C
T-ambient (min.)	-20 °C
T storage (max.)	80 °C
T storage (min.)	-25 °C
T-case lifetime (nom.)	65 °C
T-Case maximum (max.)	75 °C
Stable lamp operation temperature	Not Specified
T-Ignition (max.)	50 °C
T-Ignition (min.)	0 °C

Controls and Dimming	
Control interface	1-10V
Regulating level power	1%-100%
Control input protection	Yes (Basic insulation)

Mechanical and Housing	
Housing	S 123x79x33

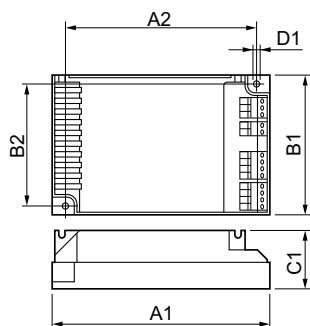
Emergency Operation	
Battery voltage lamp ignition	198-254 V
Battery voltage lamp operation	176-254

Approval and Application	
Energy efficiency index	A1 BAT
IP classification	IP 20 [ Ingress Protection 20]
EMI 9 kHz ... 30 MHz	EN55015
EMI 30 MHz ... 1,000 MHz	EN55022 level B

Safety standard	IEC 61347-2-3
Performance standard	IEC 60929
Quality standard	ISO 9000:2000
Environmental standard	ISO 14001
Harmonic current emission standard	IEC 61000-3-2
EMC immunity standard	IEC 61547
Vibration standard	IEC68-2-6 F c
Bumps standard	IEC 68-2-29 Eb
Humidity standard	EN 61347-2-3 clause 11
Approval marks	CE marking ENEC certificate VDE-EMV certificate
Temperature marking	Yes
Emergency standard	IEC 60598-2-22
Humming and noise level	Inaudible

Product Data	
Full product code	872790080972500
Order product name	HF-R 2 26-42 PL-T/C EII 220-240V 50/60Hz
EAN/UPC – product	8711500880758
Order code	80972500
Numerator – quantity per pack	1
SAP numerator – packs per outer box	12
Material no. (12 NC)	913700626566
Net Weight (Piece)	0.230 kg

## Dimensional drawing



HF-R 2 26-42 PL-T/C EII 220-240V 50/60Hz

Product	D1	C1	A1	A2	B1	B2
HF-R 2 26-42 PL-T/C	4.5 mm	33.0	123.0	111.0	79.0	67.0
EII 220-240V 50/60Hz		mm	mm	mm	mm	mm

## HF-Regulator II for PL-T/C

