



# Dynalite Leading Edge Dimmers

## DDLE802

8 channel Leading Edge Dimmer Controller at 2 A per channel

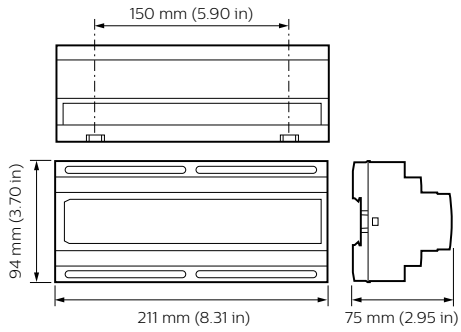
The Philips Dynalite DDLE802 is an eight channel leading edge dimmer controller with a maximum load per channel of 2 A. - It is suitable for use with incandescent, low voltage, neon and selected fluorescent fixtures. - Optional manual override LED illuminated service switch Soft start and voltage regulation technologies Naturally ventilated Flexible mounting solution

### Product data

General Information		Order product name	DDLE802
CE mark	CE mark	EAN/UPC – product	8710163505008
Remarks	Please download the Lighting – Product Data Sheet for more information and ordering options	Order code	50500800
EU RoHS compliant	Yes	Numerator – quantity per pack	1
		SAP numerator – packs per outer box	1
		Material no. (12 NC)	913703000009
		Net Weight (Piece)	0.600 kg
Application Conditions			
Ambient temperature range	0 to +40 °C		
Product Data			
Full product code	871016350500800		

# Dynalite Leading Edge Dimmers

## Dimensional drawing



Dynalite Leading Edge Dimmers

