



# Dynalite Leading Edge Dimmers

## DLE1220GL

12 channel Leading Edge Dimmer Controller with a maximum load per channel of 20 A.

The Philips Dynalite DLE1220GL is a 12 channel leading edge dimmer controller, with a maximum load per channel of 20 A and total device load of 180 A. - It is suitable for use with incandescent, neon and selected fluorescent light sources, as well as iron core and leading edge dimmable electronic transformers. - Large load capability DMX512 compatibility Interference suppression Naturally ventilated Soft start and voltage regulation technologies Diagnostic functionality User controls Options available

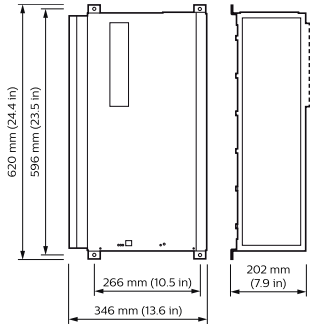
### Product data

General Information	
CE mark	CE mark
Remarks	Please download the Lighting - Product Data Sheet for more information and ordering options
EU RoHS compliant	Yes
Application Conditions	
Ambient temperature range	0 to +40 °C
Product Data	
Full product code	871016350572500

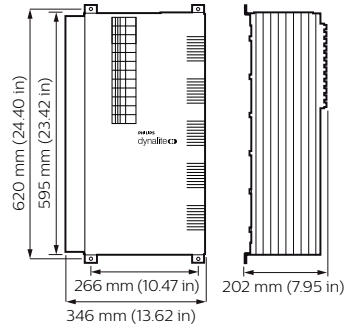
Order product name	DLE1220GL
EAN/UPC – product	8710163505725
Order code	50572500
SAP numerator – quantity per pack	1
Numerator – packs per outer box	1
SAP material	913703016009
SAP net weight (piece)	29.000 kg

# Dynalite Leading Edge Dimmers

## Dimensional drawing



Dynalite Leading Edge Dimmers



Dynalite Leading Edge Dimmers

