



Dynalite Multipurpose Controllers

DMC810GL

Multipurpose Controller combining leading edge and signal dimming control

Multipurpose Controller combining leading edge and signal dimming control

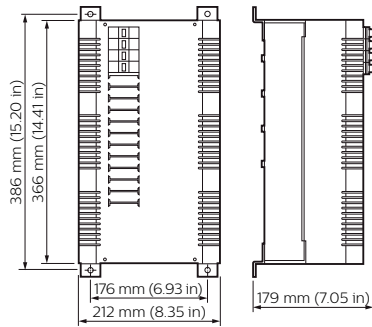
Product data

General Information	
CE mark	CE mark
Remarks	Please download the Lighting - Product Data Sheet for more information and ordering options
EU RoHS compliant	Yes
Application Conditions	
Ambient temperature range	0 to +40 °C
Product Data	
Full product code	871016350632600

Order product name	DMC810GL
EAN/UPC – product	8710163506326
Order code	50632600
Numerator – quantity per pack	1
SAP numerator – packs per outer box	1
Material no. (12 NC)	913703028009
Net Weight (Piece)	6.750 kg

Dynalite Multipurpose Controllers

Dimensional drawing



Dynalite Multipurpose Controllers

