



Dynalite Relay Controllers

DMRC210DA-RJ12

2 channel compact Relay Controller for use with the DUS804C-RJDA occupancy sensor.

2 channel compact Relay Controller for use with the DUS804C-RJDA occupancy sensor.

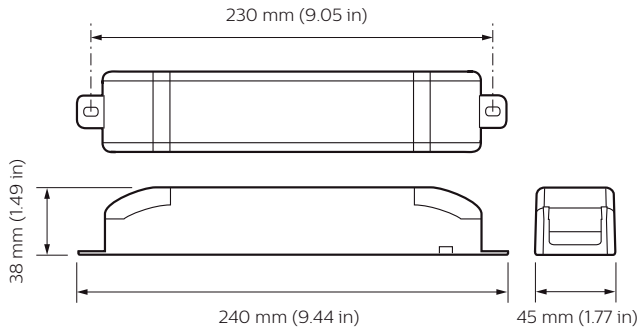
Product data

General Information	
CE mark	CE mark
Remarks	Please download the Lighting - Product Data Sheet for more information and ordering options
EU RoHS compliant	Yes
Application Conditions	
Ambient temperature range	0 to +50 °C
Product Data	
Full product code	871016352252400

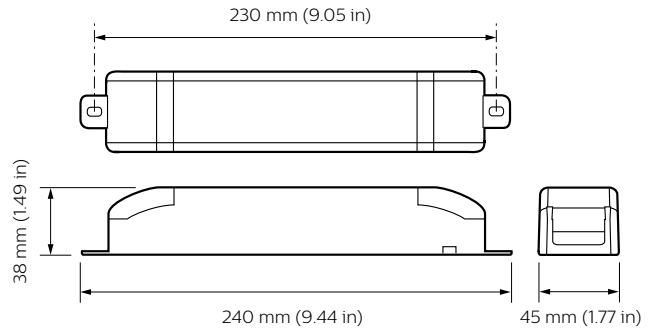
Order product name	DMRC210DA-RJ12
EAN/UPC – product	8710163522524
Order code	52252400
SAP numerator – quantity per pack	1
SAP numerator – packs per outer box	1
Material no. (12 NC)	913703050109
SAP net weight (piece)	188.000 g

Dynalite Relay Controllers

Dimensional drawing



Dynalite Relay Controllers



Dynalite Relay Controllers

