



HF-Selectalume II for TL-D lamps

HF-S 218/236 TL-D II 220-240V 50/60Hz

HF-Selectalume II TL-D is the most cost-effective, reliable and outstanding solution for fluorescent lamps. These ballasts are part of an overall high-efficiency lighting system that may help you or your customers to achieve any international or local energy code you need to comply with. HF-Selectalume II TL-D ballasts are the ideal choice for a broad range of new construction and retrofit applications within the commercial sector, including general surface mounting or office lighting, parking garages, warehouses, waterproof and other applications.

Product data

| General Information | | Earth leakage current (max.) | |
|--|-------------------|---|--|
| Application code | II | | 0.5 mA |
| Type version | mk1 | Inrush current width | 0.35 ms |
| Lamp type | TL-D | Ballast factor (nom.) | 1.01 |
| Number of lamps | 2 piece/unit | Power losses (nom.) | 4.6 W |
| Number of products on MCB (16 A type B) (nom.) | 28 | Inrush current peak (max.) | 18 A |
| Automatic restart | Yes | Wiring | |
| Operating and Electrical | | Connector type input terminals | WAGO 744 connector |
| Input Voltage | 220 to 240 V | Cable capacity output wires mutual (max.) | 200 pF |
| Input frequency | 50 to 60 Hz | Connector type output terminals | WAGO 744 connector [Suitable for manual wiring] |
| Operating frequency (nom.) | 45 kHz | Cable length hot-wiring | 0.75 m |
| Crest factor (nom.) | 1.7 | Wire strip length | 8.0-9.0 mm |
| Power factor 100% load (nom.) | 0.98 | Dual fixture master/slave | Possible, lamp wires 2m max. length [Master/Slave operation possible] |
| Preheat time | 1.6 s | Input terminal cross section | 0.50-1.50 mm ² |
| Mains voltage performance (AC) | 202-254V-8%-+6% | Output terminal cross section | 0.50-1.50 mm ² |
| Mains voltage safety (AC) | 198-264V-10%-+10% | | |

HF-Selectalume II for TL-D lamps

| | |
|---|--------|
| Cable capacity cold output wires – earth (max.) | 200 pF |
| Cable capacity hot output wires – earth (max.) | 200 pF |

System characteristics

| | |
|--------------------------|-------------|
| Rated ballast-lamp power | 36/18 W |
| Rated lamp power on TL-D | 36/18 W |
| System power on TL-D | 70.4/37.7 W |
| Lamp power on TL-D | 63.9/32.9 W |
| Power loss on TL-D | 6.5/4.8 W |
| Rated lamp power on PL-L | 36 W |
| System power on PL-L | 66.7 W |
| Lamp power on PL-L | 61.2 W |
| Power loss on PL-L | 5.5 W |

Temperature

| | |
|------------------------|--------|
| T-ambient (max.) | 55 °C |
| T-ambient (min.) | -20 °C |
| T storage (max.) | 80 °C |
| T storage (min.) | -40 °C |
| T-case lifetime (nom.) | 75 °C |
| T-Case maximum (max.) | 75 °C |

Mechanical and Housing

| | |
|---------|-------------|
| Housing | L 280x30x28 |
|---------|-------------|

Emergency Operation

| | |
|---------------------------------------|--------------|
| Nominal light output after 60 seconds | 100% of EBLF |
| Normal operating voltage (DC) | 220-240 V |

| | |
|--|-------------|
| Battery voltage guaranteed operation | 176-275 V |
| Battery voltage guaranteed ignition | 186-275 V |
| Emergency ballast lumen factor (EBLF) (nom.) | 100 % |
| Nominal light output after 5 seconds | 50% of EBLF |

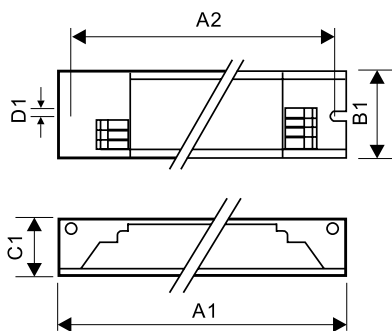
Approval and Application

| | |
|-------------------------|---|
| Energy efficiency index | A2 BAT |
| IP classification | IP 20 [Ingress Protection 20] |
| EMI 9 kHz ... 30 MHz | EN55015 |
| Vibration standard | IEC68-2-6 F c |
| Bumps standard | IEC 68-2-29 Eb (10G/16ms) |
| Approval marks | F-Marking CE marking ENEC certificate CCC certificate C-Tick certificate PSB certification TISI marking SIRIM approval CB Certificate CCC certificate VDE-EMV certificate |
| Humming and noise level | < 30 dB(A) |

Product Data

| | |
|-----------------------------------|---------------------------------------|
| Full product code | 872790090553300 |
| Order product name | HF-S 218/236 TL-D II 220-240V 50/60Hz |
| EAN/UPC – product | 8711500999313 |
| Order code | 90553300 |
| SAP numerator – quantity per pack | 1 |
| Numerator – packs per outer box | 12 |
| SAP material | 913713032466 |
| SAP net weight (piece) | 0.193 kg |

Dimensional drawing



HF-S 218/236 TL-D II 220-240V 50/60Hz

Product

HF-S 218/236 TL-D II 220-240V 50/60Hz

HF-Selectalume II for TL-D lamps

