



PAR38

PAR38 120W E27 240V FL 1CT/6

Pressed-glass 121 mm diameter reflector lamps of high luminous intensity

Product data

General Information	
Cap base	E27/51 [E27/51]
Operating position	UNIVERSAL [Any or Universal (U)]
Nominal lifetime (nom.)	2000 h

Light Technical	
Beam Angle (Nom)	30 °
Luminous flux (nom.)	1150 lm
Luminous intensity (max.)	3100 cd
Beam description	Flood [Flood]
Colour rendering index (nom.)	100

Operating and Electrical	
Power (Rated) (Nom)	120 W
Starting time (nom.)	0.0 s
Voltage (Nom)	220-240 V

Mechanical and Housing	
Eccentricity (max.)	1.0 mm

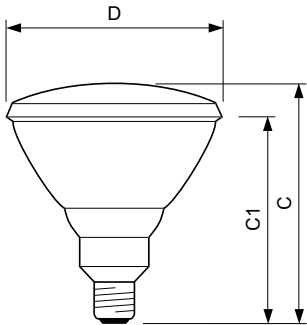
Skewness (max.)	2.5 mm
-----------------	--------

Luminaire Design Requirements	
Cap-base temperature (max.)	150 °C

Product Data	
Full product code	871016317089300
Order product name	PAR38 120W E27 240V FL 1CT/6
EAN/UPC – product	8710163170893
Order code	17089300
Numerator – quantity per pack	1
SAP numerator – packs per outer box	6
Material no. (12 NC)	923815645594
Net Weight (Piece)	0.310 kg
ILCOS code	IPAR-120-240-E27/51-121/12

PAR38

Dimensional drawing



Product	D	C (max)	C1
PAR38 120W E27 240V FL 1CT/6	121 mm	137 mm	123 mm

PAR38 120W E27/51 220-240V PAR38 FL 30D

Photometric data

