



# MASTER CityWhite CDO-ET

## MASTER CityWhite CDO-ET Plus 70W/828 E27

Ceramic metal halide lamp, with opalized ovoid outer bulb shape, used in outdoor offering pleasant white light

### Warnings and Safety

- Use only in totally enclosed luminaire, even during testing (IEC61167, IEC 62035, IEC60598)
- The luminaire must be able to contain hot lamp parts if the lamp ruptures
- Lamps may use electronic or electromagnetic control gear
- Control gear must include end-of-life protection (IEC61167, IEC 62035)
- Warm restart time can be up to 15 minutes; T15 ignitors therefore advised
- A lamp breaking is extremely unlikely to have any impact on your health. If a lamp breaks, ventilate the room for 30 minutes and remove the parts, preferably with gloves. Put them in a sealed plastic bag and take it to your local waste facilities for recycling. Do not use a vacuum cleaner.

### Product data

General Information	
Cap base	E27 [ E27]
Operating position	UNIVERSAL [ Any or Universal (U)]
Life to 5% failures (nom.)	13000 h
Life to 10% failures (nom.)	15000 h
Life to 20% failures (nom.)	17000 h
Life to 50% failures (nom.)	27000 h
LSF 2000 h Rated	99 %
LSF 4000 h Rated	99 %
LSF 6000 h Rated	98 %
LSF 8000 h Rated	96 %
LSF 12000 h Rated	90 %
LSF 16000 h Rated	81 %

LSF 20000 h Rated	71 %
Light Technical	
Colour Code	828 [ CCT of 2,800 K]
Luminous flux (rated) (nom.)	7050 lm
Colour designation	Warm White (WW)
Chromaticity coordinate X (nom.)	438
Chromaticity coordinate Y (nom.)	398
Correlated Colour Temperature (Nom)	2900 K
Luminous efficacy (rated) (nom.)	99.3 lm/W
Colour-rendering index (min.)	81
Colour rendering index (nom.)	84
LLMF 2000 h Rated	97 %

# MASTER CityWhite CDO-ET

LLMF 4000 h Rated	93 %
LLMF 6000 h Rated	89.5 %
LLMF 8000 h Rated	86 %
LLMF 12000 h Rated	80.5 %
LLMF 16000 h Rated	76.5 %
LLMF 20000 h Rated	73.5 %
Ratio scotopic/photopic lumens	1.30

## Operating and Electrical

Power (Rated) (Nom)	71.0 W
Lamp current run-up (max.)	1.96 A
Lamp current (EM) (nom.)	0.99 A
Ignition supply voltage (max.)	198 V
Ignition peak voltage (max.)	2500 V
Ignition supply voltage (min.)	198 V
Re-ignition time (min.) (max.)	720 s
Ignition time (max.)	30 s
Voltage (Max)	96 V
Voltage (Min)	80 V
Voltage (Nom)	83 V

## Controls and Dimming

Dimmable	Yes
Run-up time 90% (max.)	3 min

## Mechanical and Housing

Lamp Finish	Coated glass
-------------	--------------

## Approval and Application

Energy efficiency label (EEL)	A+
Mercury (Hg) content (nom.)	7.8 mg
Energy consumption kWh/1,000 hours	78 kWh

## UV

PET (NIOSH) (min.)	8 h/500lx
--------------------	-----------

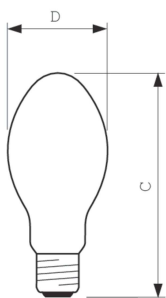
## Luminaire Design Requirements

Bulb temperature (max.)	350 °C
Cap-base temperature (max.)	200 °C

## Product Data

Full product code	871829115875200
Order product name	MASTER CityWhite CDO-ET Plus 70W/828 E27
EAN/UPC – product	8718291158752
Order code	15875200
SAP numerator – quantity per pack	1
Numerator – packs per outer box	24
SAP material	928154708835
SAP net weight (piece)	57.000 g
ILCOS code	ME70/28/1B-H-E27

## Dimensional drawing

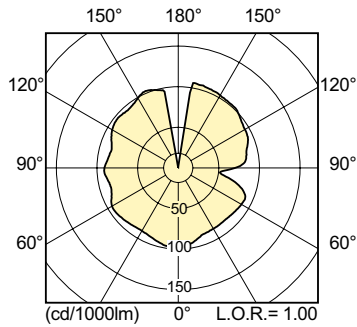


CDO-ET Plus 70W/828 E27

Product	D (max)	C (max)
MASTER CityWhite CDO-ET Plus 70W/828 E27	71 mm	156 mm

# MASTER CityWhite CDO-ET

## Photometric data

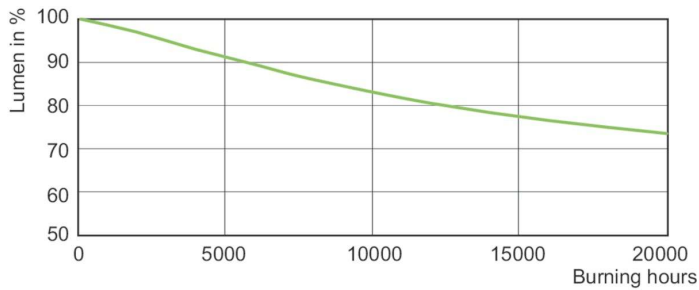


LDLD\_CDO-ET\_0001-Light distribution diagram

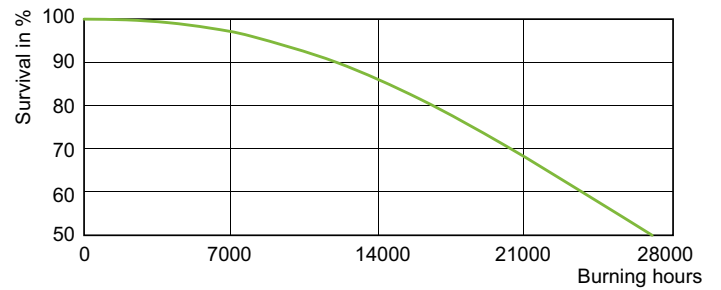


LDPO\_CDO-ET\_0002-Spectral power distribution Colour

## Lifetime



MASTER CityWhite CDO-ET Plus CDO-TT Plus 70W/828 E27



LDLE\_CDO-ET\_0001-Life expectancy diagram

