



MASTERColour CDM-Tm Elite Mini

MASTERColour CDM-Tm Elite Mini 35W/930 GU6.5 1CT

Mini, single-ended, very high-efficiency, long-life Ceramic Metal Halide discharge lamp producing crisp white sparkling light with high color rendering

Warnings and Safety

- Use only in totally enclosed luminaire, even during testing (IEC61167, IEC 62035, IEC60598)
- The luminaire must be able to contain hot lamp parts if the lamp ruptures
- Use only with electronic control gear
- For 50W use with Philips electronic gear only
- Control gear must include end-of-life protection (IEC61167, IEC 62035)
- A lamp breaking is extremely unlikely to have any impact on your health. If a lamp breaks, ventilate the room for 30 minutes and remove the parts, preferably with gloves. Put them in a sealed plastic bag and take it to your local waste facilities for recycling. Do not use a vacuum cleaner.

Product data

General Information			
Cap base	GU6.5 [GU6.5]	Luminous flux (rated) (min.)	3600 lm
Operating position	UNIVERSAL [Any or Universal (U)]	Luminous flux (rated) (nom.)	4000 lm
Life to 5% failures (nom.)	12000 h	Colour designation	Warm White (WW)
Life to 10% failures (nom.)	14000 h	Lumen maintenance 1,000 hours (nom.)	95 %
Life to 20% failures (nom.)	16000 h	Lumen maintenance 12,000 hours (nom.)	80 %
Life to 50% failures (nom.)	20000 h	Lumen maintenance 2,000 hours (nom.)	93 %
ANSI code HID	C130/E	Lumen maintenance 4,000 hours (nom.)	90 %
		Chromaticity coordinate X (nom.)	0.435
		Chromaticity coordinate Y (nom.)	0.396
		Correlated Colour Temperature (Nom)	3000 K
		Luminous efficacy (rated) (nom.)	102 lm/W
Light Technical			
Colour Code	930 [CCT of 3,000 K]		

MASTERCcolour CDM-Tm Elite Mini

Colour-rendering index (min.)	87
Colour rendering index (nom.)	90

Operating and Electrical

Power (Rated) (Nom)	39.1 W
Lamp current run-up (max.)	1 A
Re-ignition time (min.) (max.)	15 min
Ignition time (max.)	30 s
Voltage (Max)	95 V
Voltage (Min)	79 V
Voltage (Nom)	87 V

Controls and Dimming

Dimmable	No
Run-up time 90% (max.)	3 min

Mechanical and Housing

Lamp Finish	Clear
-------------	-------

Approval and Application

Energy efficiency label (EEL)	A+
Mercury (Hg) content (nom.)	4.7 mg
Energy consumption kWh/1,000 hours	43 kWh

UV

PET (NIOSH) (min.)	8 h/500lx
Damage factor D/fc (max.)	0.4

Luminaire Design Requirements

Bulb temperature (max.)	450 °C
Cap-base temperature (max.)	250 °C

Product Data

Full product code	871829115382500
Order product name	MASTERCcolour CDM-Tm Elite Mini 35W/930 GU6.5 1CT
EAN/UPC – product	8718291153825
Order code	15382500
Numerator – quantity per pack	1
Numerator – packs per outer box	12
SAP material	928187405130
SAP net weight (piece)	0.008 kg
ILCOS code	MT/UB-35/930-H-GU6.5-13.3/52

Dimensional drawing

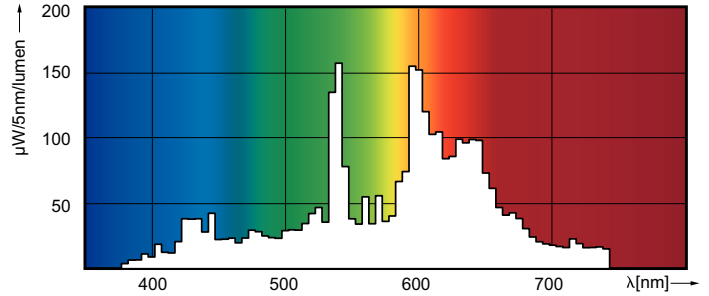
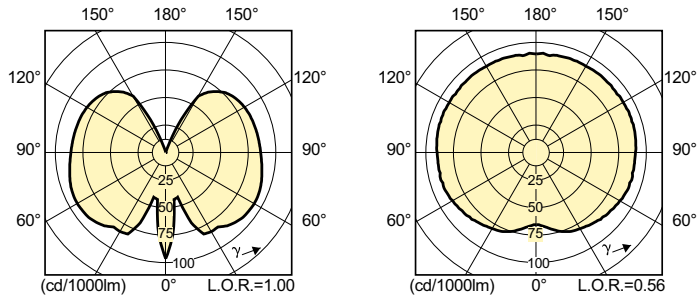
D

Product	D (max)	D	O	L (min)	L (max)	L	C (max)
MASTERCcolour CDM-Tm Elite Mini 35W/930	13.3 mm	0.5 in	4.7	28 mm	32 mm	30	56.7 mm
GU6.5 1CT			mm			mm	

CDM-Tm 35W/930 GU6.5

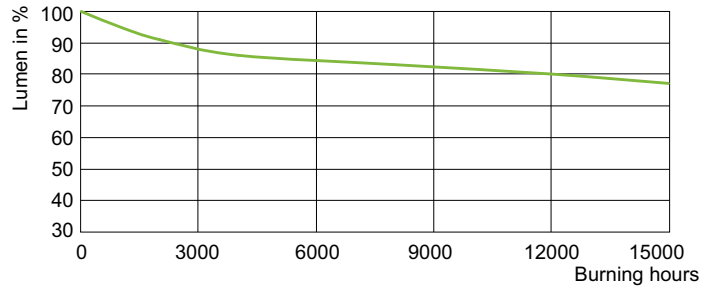
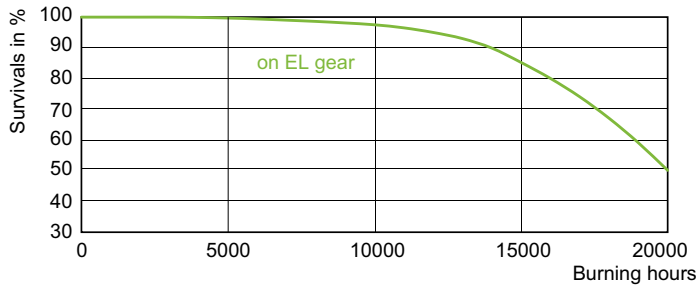
MASTERCoulour CDM-Tm Elite Mini

Photometric data



LDPO_CDM-Tm_35W_930_GU65-Spectral power distribution Colour

Lifetime



LDLM_CDM-Tm_0001-Lumen maintenance diagram

