

PHILIPS

Lighting



MASTERColor CDM-Rm Elite Mini

MASTERColor CDM-Rm Elite Mini 20W/830 GX10 MR16 10D

The Elite family is at the very top of the MasterColor CDM range, and gives a unique combination of unbeatable light quality and consistent performance over lifetime, while keeping running costs low. The MasterColor DCM Elite MR16 combines the familiar compact shape of MR16 halogen lamps with the performance of ceramic metal halide MasterColor Elite lamps. Suited for accent/decorative lighting, general lighting and downlighting in retail applications; or for outdoor landscaping and architectural effects.

Product data

General Information			
Cap base	GX10 [GX10]	Luminous flux (rated) (min.)	900 lm
Operating position	UNIVERSAL [Any or Universal (U)]	Luminous flux (rated) (nom.)	1000 lm
Life to 5% failures (nom.)	9000 h	Luminous intensity (min.)	10900 cd
Life to 10% failures (nom.)	10000 h	Luminous intensity (nom.)	14500 cd
Life to 20% failures (nom.)	12000 h	Beam description	-
Life to 50% failures (nom.)	15000 h	Lumen maintenance 12,000 hours (nom.)	75 %
ANSI code HID	C156/O	Lumen maintenance 2,000 hours (nom.)	90 %
Switching cycle	1350X	Lumen maintenance 4,000 hours (nom.)	85 %
		Chromaticity coordinate X (nom.)	0.439
		Chromaticity coordinate Y (nom.)	0.403
		Correlated Colour Temperature (Nom)	3000 K
		Luminous efficacy (rated) (nom.)	50 lm/W
		Color rendering index (min.)	81
		Color rendering index (nom.)	84
		LLMF at end of nominal lifetime (nom.)	70 %
Light Technical			
Colour code	830 [CCT of 3,000 K]		
Beam Angle (Nom)	10 °		
Beam angle technical	9 °		
Beam angle technical	11 °		
Beam angle technical	7 °		

MASTERCOLOR CDM-Rm Elite Mini

Luminous Flux in 90° Cone (Rated)	900 lm
-----------------------------------	--------

Operating and Electrical

Power (Rated) (Nom)	20.1 W
Re-ignition time (min.) (max.)	15 min
Warm-up time to 60% light (nom.)	120 s
Ignition time (max.)	30 s
Voltage (Max)	100 V
Voltage (Min)	90 V
Voltage (Nom)	95 V

Controls and Dimming

Dimmable	No
Run-up time 90% (max.)	3 min

Approval and Application

Energy efficiency label (EEL)	A
Mercury (Hg) content (nom.)	3.5 mg
Energy Consumption kWh/1000 h	22 kWh

UV

PET (NIOSH) (min.)	8 h/500lx
Damage factor D/fc (max.)	0.4

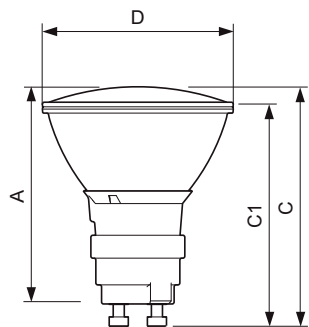
Luminaire Design Requirements

Reflector neck temperature (max.)	215 °C
-----------------------------------	--------

Product Data

Order product name	MASTERCOLOR CDM-Rm Elite Mini 20W/830 GX10 MR16 10D
EAN/UPC – product	046677421656
Order code	928191005315
Numerator – quantity per pack	1
Numerator – packs per outer box	12
Material no. (12NC)	928191005315
Net weight (piece)	0.047 kg
ILCOS Code	MRS/UB-20/830-H-GX10-51/54.5/10

Dimensional drawing

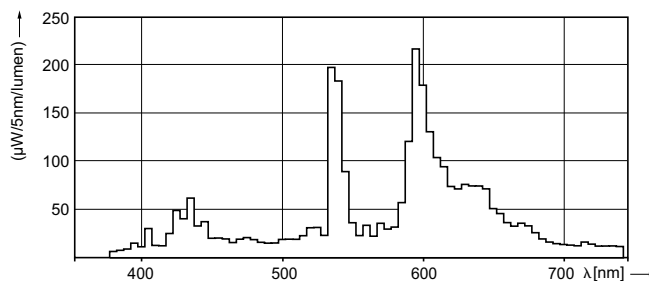
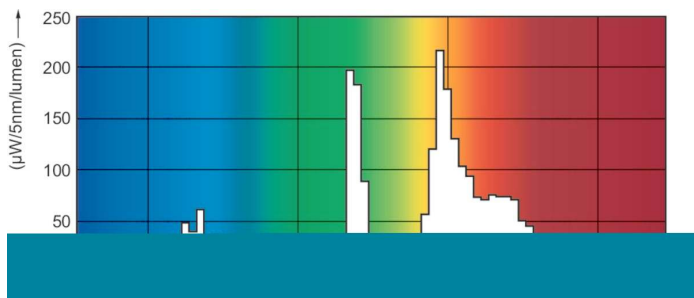


CDM-Rm 20W/830 GX10 MR16 10D

Product

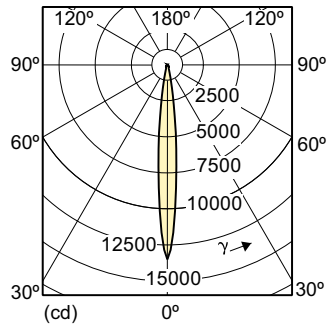
MASTERCOLOR CDM-Rm Elite Mini 20W/830 GX10 MR16 10D

Photometric data



MASTERCOLOR CDM-Rm Elite Mini

Photometric data



Lifetime

