



MASTERColour CDM-Rm Elite Mini

MASTERColour CDM-Rm Elite Mini 20W/830 GX10 MR16 25D

Mini, very high-efficiency Ceramic Metal Halide discharge reflector lamp producing crisp white sparkling light with high color rendering

Warnings and Safety

- Use only with electronic control gear
- Control gear must include end-of-life protection (IEC61167, IEC 62035).
- A lamp breaking is extremely unlikely to have any impact on your health. If a lamp breaks, ventilate the room for 30 minutes and remove the parts, preferably with gloves. Put them in a sealed plastic bag and take it to your local waste facilities for recycling. Do not use a vacuum cleaner.

Product data

General Information			
Cap base	GX10 [GX10]	Beam angle technical	27.5 °
Operating position	UNIVERSAL [Any or Universal (U)]	Beam angle technical	16.5 °
Life to 5% failures (nom.)	9000 h	Luminous flux (rated) (min.)	900 lm
Life to 10% failures (nom.)	10000 h	Luminous flux (rated) (nom.)	1000 lm
Life to 20% failures (nom.)	12000 h	Luminous intensity (min.)	3100 cd
Life to 50% failures (nom.)	15000 h	Luminous intensity (nom.)	4000 cd
ANSI code HID	C156/O	Beam description	-
Switching cycle	1350X	Lumen maintenance 12,000 hours (nom.)	75 %
		Lumen maintenance 2,000 hours (nom.)	90 %
		Lumen maintenance 4,000 hours (nom.)	85 %
Light Technical		Chromaticity coordinate X (nom.)	0.439
Colour Code	830 [CCT of 3,000 K]	Chromaticity coordinate Y (nom.)	0.403
Beam Angle (Nom)	25 °	Correlated Colour Temperature (Nom)	3000 K
Beam angle technical (nom.)	22 °	Luminous efficacy (rated) (nom.)	50 lm/W

MASTERCcolour CDM-Rm Elite Mini

Colour-rendering index (min.)	81
Colour rendering index (nom.)	84
LLMF at end of nominal lifetime (nom.)	70 %
Luminous flux in 90° cone (rated)	900 lm

Operating and Electrical

Power (Rated) (Nom)	20.1 W
Re-ignition time (min.) (max.)	15 min
Warm-up time to 60% light (nom.)	120 s
Ignition time (max.)	30 s
Voltage (Max)	100 V
Voltage (Min)	90 V
Voltage (Nom)	95 V

Controls and Dimming

Dimmable	No
Run-up time 90% (max.)	3 min

Approval and Application

Energy efficiency label (EEL)	A
Mercury (Hg) content (nom.)	3.5 mg
Energy consumption kWh/1,000 hours	22 kWh

UV

PET (NIOSH) (min.)	8 h/500lx
Damage factor D/fc (max.)	0.4

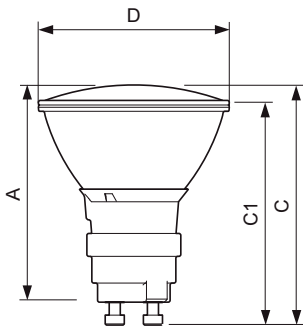
Luminaire Design Requirements

Reflector neck temperature (max.)	215 °C
-----------------------------------	--------

Product Data

Full product code	871829120301800
Order product name	MASTERCcolour CDM-Rm Elite Mini 20W/830 GX10 MR16 25D
EAN/UPC – product	8718291203018
Order code	20301800
Numerator – quantity per pack	1
SAP numerator – packs per outer box	12
Material no. (12 NC)	928191105331
Net Weight (Piece)	0.047 kg
ILCOS code	MRS/UB-20/830-H-GX10-51/54.5/25

Dimensional drawing

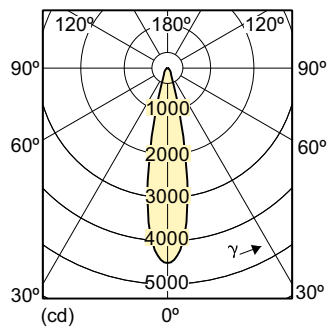


CDM-Rm 20W/830 GX10 MR16 25D

Product	D (max)	D	C (max)	C	C1 (max)	A (max)
MASTERCcolour CDM-Rm	51 mm	50	65.4 mm	62.75	60.9 mm	59 mm
Elite Mini 20W/830 GX10		mm		mm		
MR16 25D						

MASTERCoulour CDM-Rm Elite Mini

Photometric data



LDLD_CDM-Rm_20W_25D_0003-Light distribution diagram

Lifetime



MASTERCcolour CDM-Rm Elite Mini

