



Essential LED tubes T5 Mains

MASTER LEDtube 1200mm 13W840 G5 I

The Essential LEDtube T5 is an affordable LED solution suitable for replacing T5 fluorescent lamps. Thanks to a unique design, Philips Essential LED tube T5 Mains can be directly installed in luminaires operating on mains power connection. The product provides a natural lighting effect for use in general lighting applications, as well as instant energy savings – an environmentally friendly solution.

Product data

General Information	
Cap base	G5 [G5]
EU RoHS compliant	Yes
Nominal lifetime (nom.)	40000 h
Switching cycle	50,000X
Starting time (nom.) 0.5 s	
Warm-up time to 60% light (nom.) 0.5 s	
Power factor (nom.) 0.9	
Voltage (Nom) 33 V	
Temperature	
T-ambient (max.)	45 °C
T-ambient (min.)	-20 °C
T storage (max.)	65 °C
T storage (min.)	-40 °C
T-Case maximum (nom.)	50 °C
Controls and Dimming	
Dimmable	No
Mechanical and Housing	
Product length	1200 mm
Approval and Application	
Energy efficiency label (EEL)	A+
Light Technical	
Colour Code	841 [CCT of 4100K (841)]
Beam Angle (Nom)	160 °
Luminous flux (nom.)	1600 lm
Colour designation	Cool White (CW)
Correlated Colour Temperature (Nom)	4000 K
Luminous efficacy (rated) (nom.)	123.00 lm/W
Colour consistency	<6
Colour rendering index (nom.)	83
LLMF at end of nominal lifetime (nom.)	70 %
Operating and Electrical	
Input frequency	50 to 60 Hz
Power (Rated) (Nom)	13 W

Essential LED tubes T5 Mains

Energy-saving product	Yes
Suitable for accent lighting	No
Approval marks	RoHS compliance KEMA Keur certificate CE marking
Energy consumption kWh/1,000 hours	15 kWh

Product Data

Full product code	694793910873200
Order product name	MASTER LEDtube 1200mm 13W840 G5 I

EAN/UPC – product	6947939108732
Order code	10873200
Numerator – quantity per pack	1
SAP numerator – packs per outer box	20
Material no. (12 NC)	929001131110
Net Weight (Piece)	0.155 kg

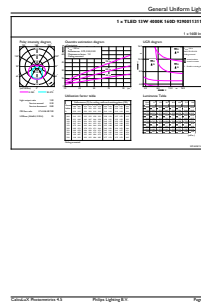
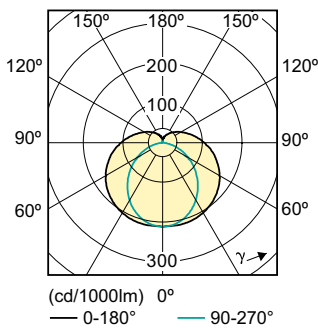
Dimensional drawing

A3

Product	D1	D2	A1	A2	A3
MASTER LEDtube 1200mm 13W840 G5 I	15.8 mm	21.0 mm	1148.0 mm	1155.0 mm	1162.0 mm

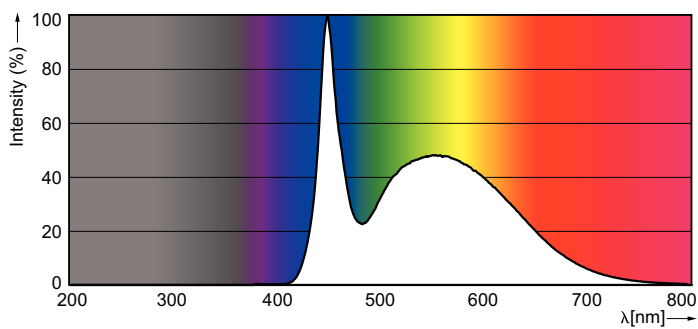
TLED T5 1200mm 13W DC 400mA 33V 4000K

Photometric data



LED Lamps, LEDtubes, MASTER LEDtube 1200mm 13W 4000K G5 I

LED Lamps, LEDtubes, MASTER LEDtube 1200mm 13W 4000K G5 I



Essential LED tubes T5 Mains

