



MASTER LEDspot LV AR111

MAS LEDspotLV D 15-75W 927 AR111 40D

Delivering a warm, halogen-like accent beam, MASTER LEDspot LV AR111 is an ideal retrofit solution for spot and general lighting applications in the hospitality and retail industry. It is particularly suitable for general lighting where the light is on all the time, such as creative accent lighting applications in shops, restaurants, hotels, and especially for galleries, exhibitions and museums. The robustly designed MASTER LEDspot LV AR111 offers various beam angles for a clearly defined beam spread. There is no UV or IR in the beam, making it suitable for illuminating heat-sensitive objects (food, organic materials, paintings, etc.). The patented intelligent driver enables broad compatibility with existing electromagnetic and electronic halogen transformers. MASTER LEDspot LV AR111 delivers huge energy savings and minimizes maintenance cost without any reduction in brightness.

Product data

General Information		Colour consistency	
Cap base	G53 [G53]	Colour consistency	<6
Nominal lifetime (nom.)	40000 h	Color rendering index (nom.)	90
Switching cycle	50000X	LLMF at end of nominal lifetime (nom.)	70 %
Technical type	15-75W	Operating and Electrical	
Light Technical		Power (Rated) (Nom)	15 W
Colour code	927	Lamp current (nom.)	1800 mA
Beam Angle (Nom)	40 °	Wattage equivalent	75 W
Luminous flux (nom.)	830 lm	Starting time (nom.)	0.5 s
Luminous intensity (nom.)	1400 cd	Warm-up time to 60% light (nom.)	instant full light
Colour designation	Warm White (WW)	Power factor (nom.)	0.7
Correlated colour temperature (nom.)	2700 K	Voltage (Nom)	12 V
Luminous efficacy (rated) (nom.)	55.33 lm/W		

MASTER LEDspot LV AR111

Temperature

T-Case maximum (nom.)	74 °C
-----------------------	-------

Controls and Dimming

Dimmable	Yes
----------	-----

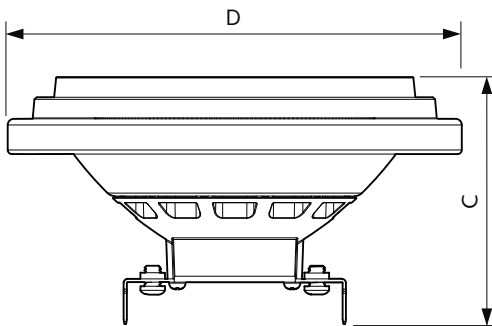
Approval and Application

Energy efficiency label (EEL)	A
Suitable for accent lighting	Yes
Energy Consumption kWh/1000 h	17 kWh

Product Data

Full product code	871869651520400
Order product name	MAS LEDspotLV D 15-75W 927 AR111 40D
EAN/UPC – product	8718696515204
Order code	51520400
Numerator – quantity per pack	1
Numerator – packs per outer box	6
Material no. (12NC)	929001170408
Net weight (piece)	0.360 kg

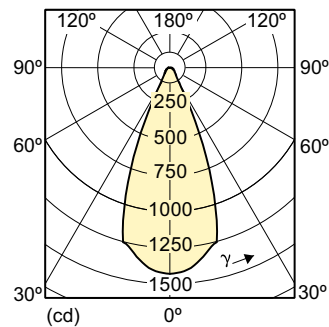
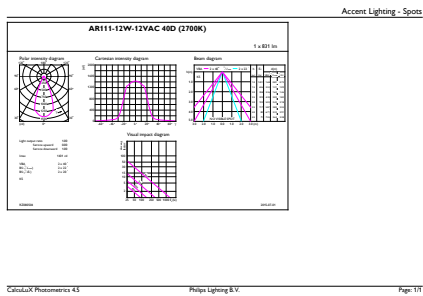
Dimensional drawing



LED D 15-75W 927 AR111 40D

Product	D	C
MAS LEDspotLV D 15-75W 927 AR111 40D	111 mm	62 mm

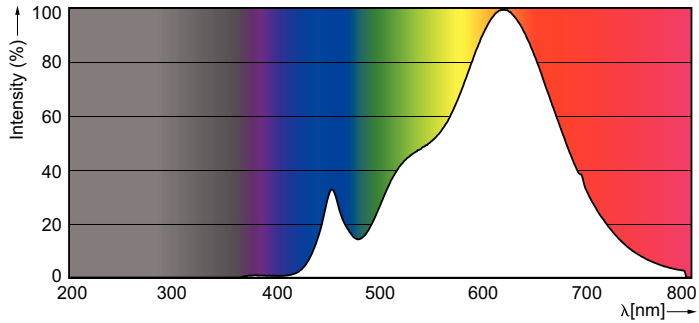
Photometric data



MASTER LEDspot LV AR111 75W G53 927 40D

MASTER LEDspot LV AR111

Photometric data



SDPO_LEDspotL_0027-Spectral Power distribution

Lifetime



MASTER LEDspotLV AR111 75W G53 940 40D



MASTER LEDspotLV AR111 75W G53 940 40D

