



MASTER LEDspot LV AR111

MAS LEDspotLV D 20-100W 830 AR111 12D

Delivering a warm, halogen-like accent beam, MASTER LEDspot LV AR111 is an ideal retrofit solution for spot and general lighting applications in the hospitality and retail industry. It is particularly suitable for general lighting where the light is on all the time, such as creative accent lighting applications in shops, restaurants, hotels, and especially for galleries, exhibitions and museums. The robustly designed MASTER LEDspot LV AR111 offers various beam angles for a clearly defined beam spread. There is no UV or IR in the beam, making it suitable for illuminating heat-sensitive objects (food, organic materials, paintings, etc.). The patented intelligent driver enables broad compatibility with existing electromagnetic and electronic halogen transformers. MASTER LEDspot LV AR111 delivers huge energy savings and minimizes maintenance cost without any reduction in brightness.

Product data

General Information	
Cap base	G53 [G53]
EU RoHS compliant	Yes
Nominal lifetime (nom.)	25000 h
Switching cycle	50,000X
Technical type	20-100W
Light Technical	
Colour Code	830 [CCT of 3,000 K]
Beam Angle (Nom)	12°
Luminous flux (nom.)	1350 lm
Luminous intensity (nom.)	10000 cd
Colour designation	White (WH)
Correlated Colour Temperature (Nom)	3000 K

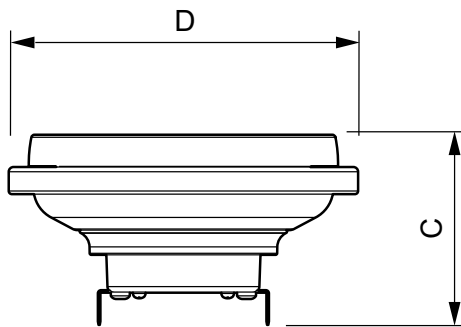
Luminous efficacy (rated) (nom.)	67.50 lm/W
Colour consistency	<6
Colour rendering index (nom.)	80
LLMF at end of nominal lifetime (nom.)	70 %
Operating and Electrical	
Input frequency	- Hz
Power (Rated) (Nom)	20 W
Lamp current (nom.)	2400 mA
Wattage equivalent	100 W
Starting time (nom.)	0.5 s
Warm-up time to 60% light (nom.)	instant full light
Power factor (nom.)	0.7

MASTER LEDspot LV AR111

Voltage (Nom)	12 V
Temperature	
T-Case maximum (nom.)	80 °C
Controls and Dimming	
Dimmable	Yes
Approval and Application	
Energy efficiency label (EEL)	Not applicable
Suitable for accent lighting	Yes
Energy consumption kWh/1,000 hours	22 kWh

Product Data	
Full product code	871869651524200
Order product name	MAS LEDspotLV D 20-100W 830 AR111 12D
EAN/UPC – product	8718696515242
Order code	51524200
SAP numerator – quantity per pack	1
Numerator – packs per outer box	6
SAP material	929001170608
SAP net weight (piece)	0.360 kg

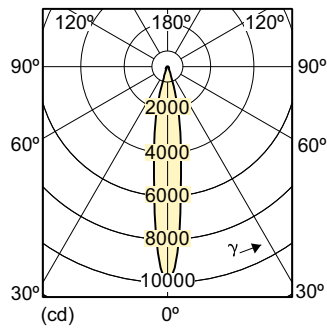
Dimensional drawing



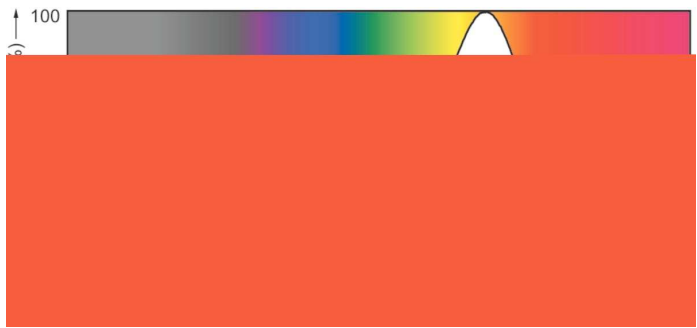
LED D 20-100W 830 AR111 12D

Product
MAS LEDspotLV D 20-100W 830 AR111 12D

Photometric data



SDLD_LEDspotL_0143-Light distribution diagram



SDPO_LEDspotL_0023-Spectral Power distribution

MASTER LEDspot LV AR111

